



***Assembly manual***



**SOGECO** S.A.  
L I V I N G

1

2

3

4

5

6

7

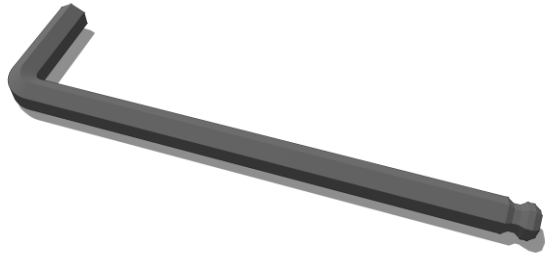
8

A

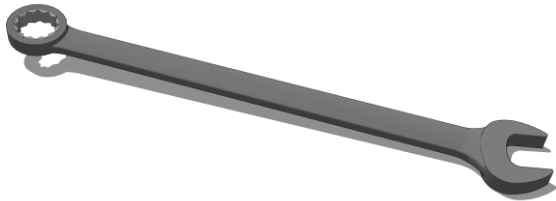
A

# ***Tools needed***

## ***To unpack bundle***

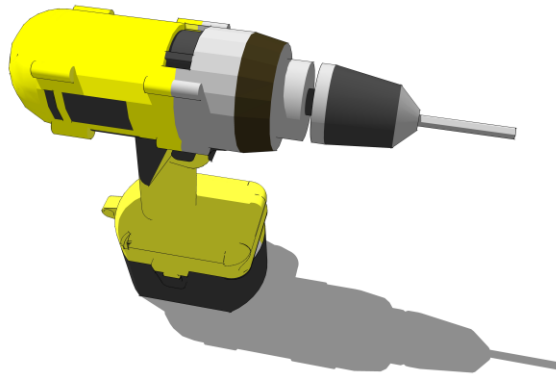


***14mm allen key***



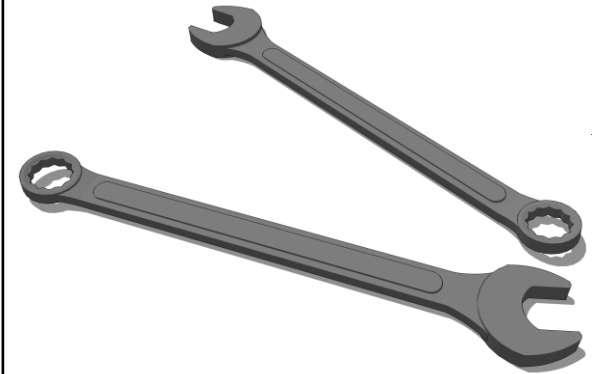
***30mm spanner key***

## ***To assemble posts***



***High speed drill  
with 12mm allen  
key***

## ***To fit panels***



***14mm and 17mm  
spanner keys***

C

C

B

B

D

D

E

E

F

F



1

2

3

4

5

6

7

1

2

3

4

5

6

7

8

A

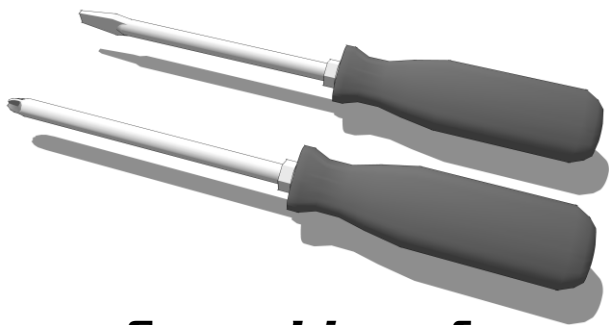
A

# ***Tools needed***

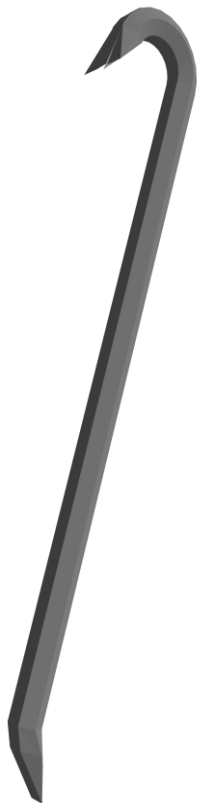
## ***For finishing***

B

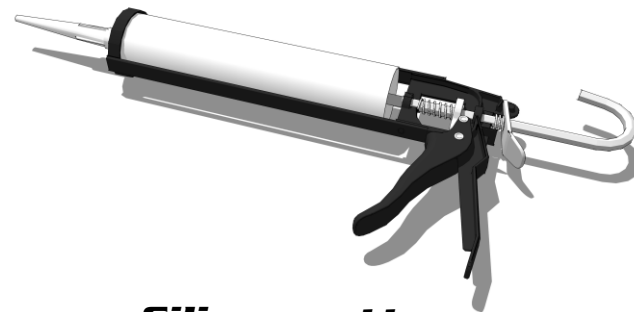
B



***Screw drivers for  
slotted and cross  
head screws***



***Crowbar***



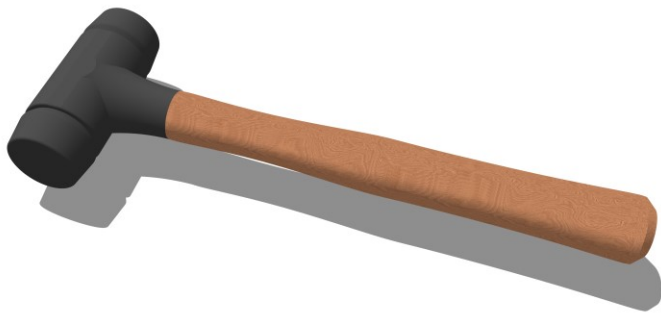
***Silicon putty***

C

C

D

D



***Hammer***

E

E



***Rubber gloves***

F

F



1

2

3

4

5

6

7

1

2

3

4

5

6

7

8

A

B

C

D

E

F

A

B

C

D

E

F



1

2

3

4

5

6

7



**WARNING:**

***Do not handle the bundle with forklift truck or side stacker***



1

2

3

4

5

6

7

8

A

B

C

D

E

F

A

B

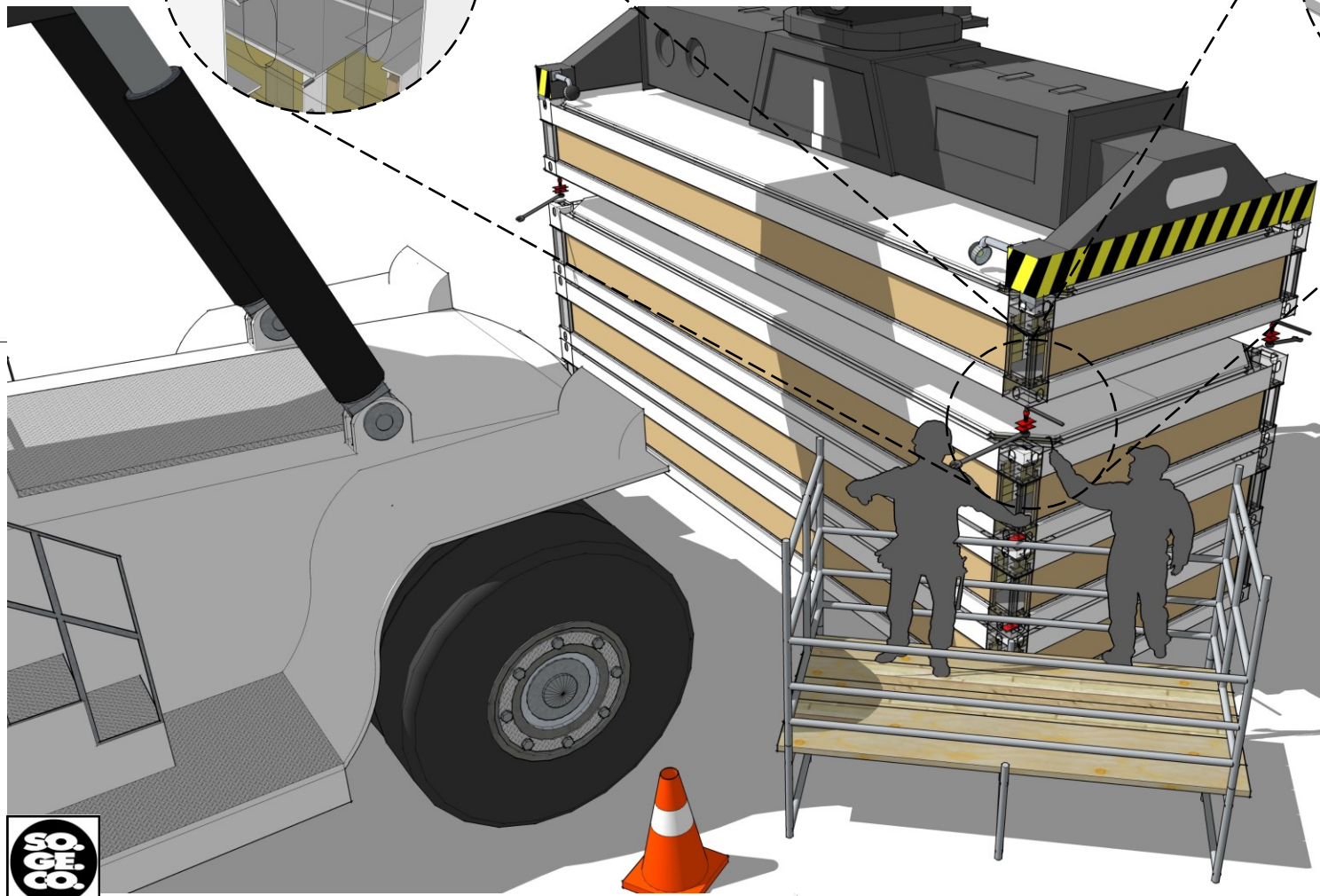
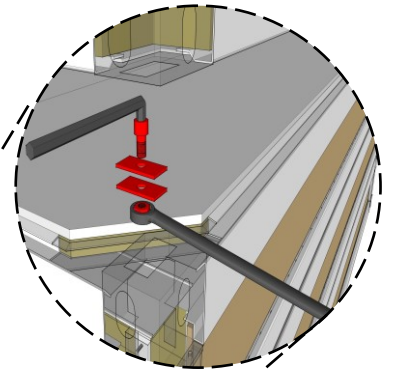
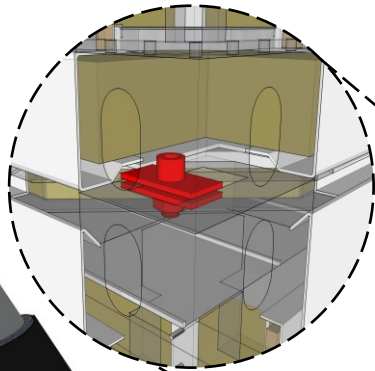
C

D

E

F

**Remove all the screws locking the corner castings of the kit**



1

2

3

4

5

6

7

1

2

3

4

5

6

7

8

A

B

C

D

E

F

A

B

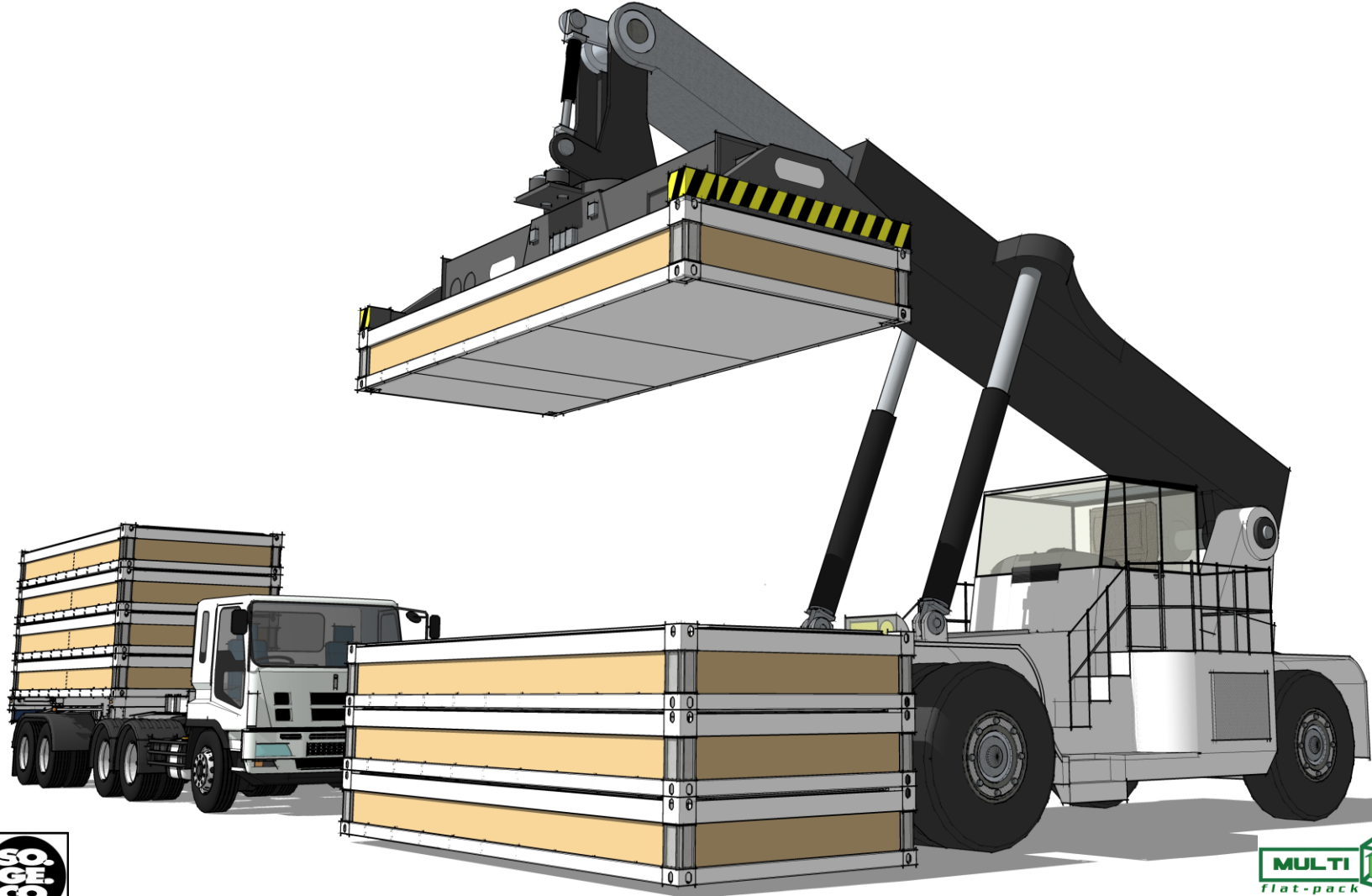
C

D

E

F

**Do not lift more than 1 kit at a time**



1

2

3

4

5

6

7

1

2

3

4

5

6

7

8

A

A

***Position the kit in the assembly area***

B

B

C

C

D

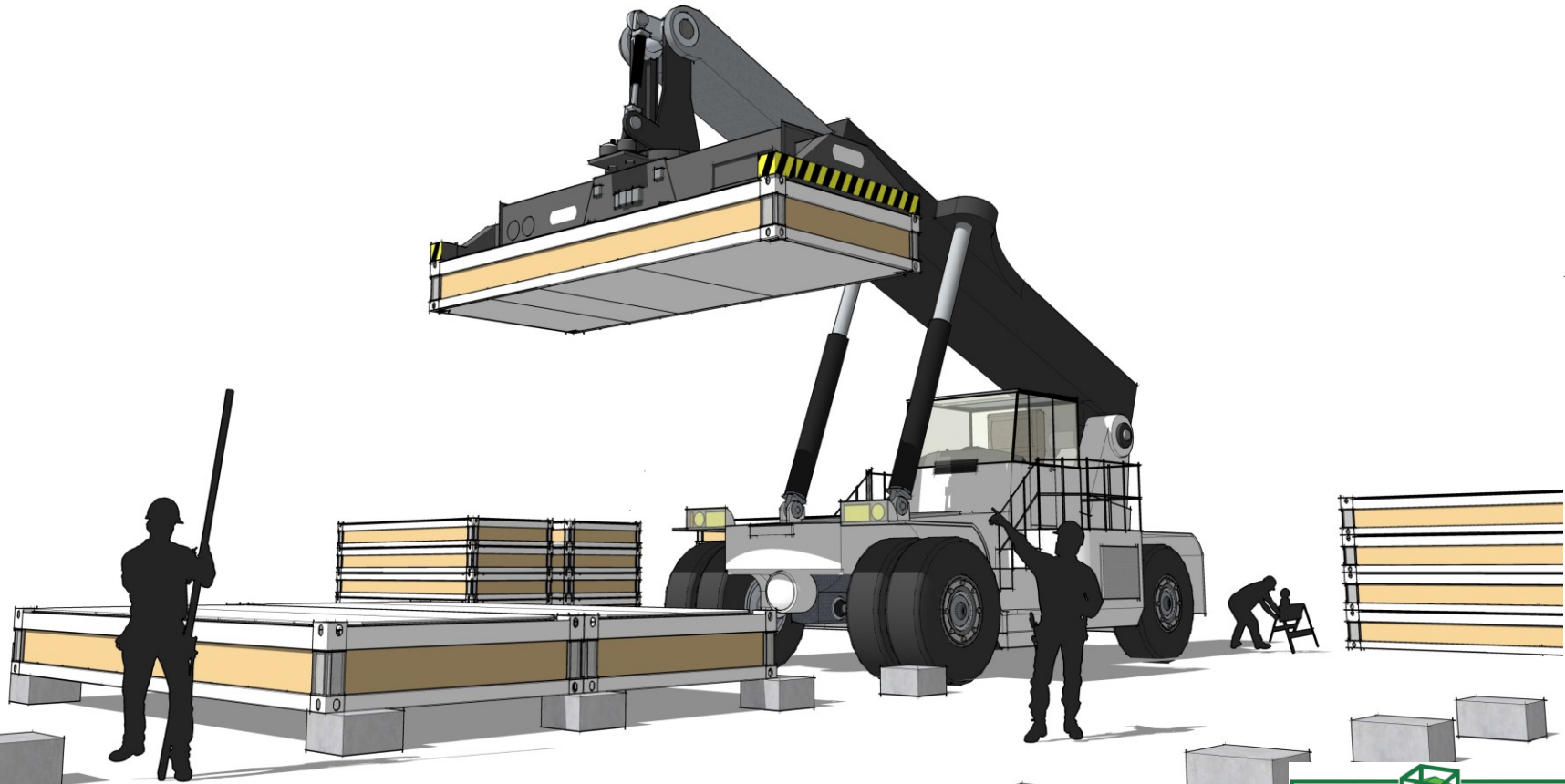
D

E

E

F

F



1

2

3

4

5

6

7



1

2

3

4

5

6

7

8

A

B

C

D

E

F

A

B

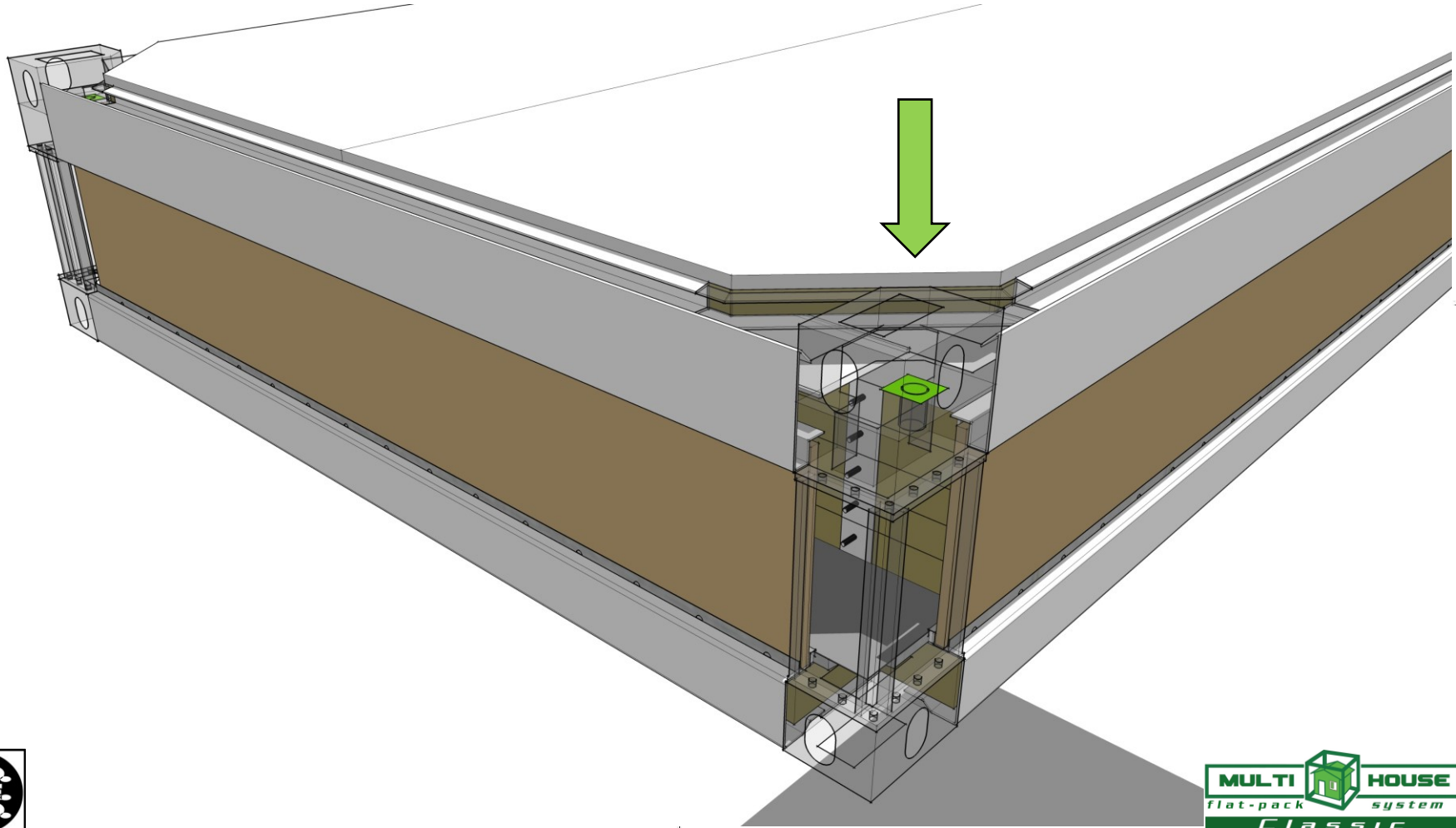
C

D

E

F

***Remove the caps sealing the hole of the roof drain pipes***



1

2

3

4

5

6

7

1

2

3

4

5

6

7

8

A

A

***Remove the screws locking the bundling columns***

B

B

C

C

D

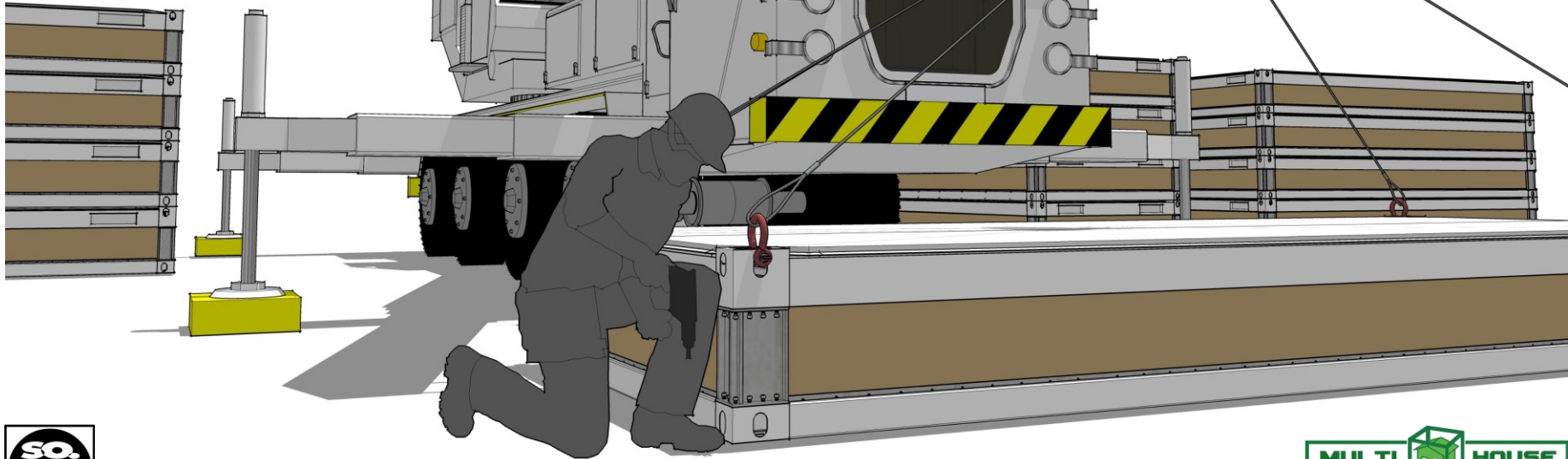
D

E

E

F

F



1

2

3

4

5

6

7

1

2

3

4

5

6

7

8

A

A

**Lift the roof through the holes of the corner castings**

B

B

C

C

D

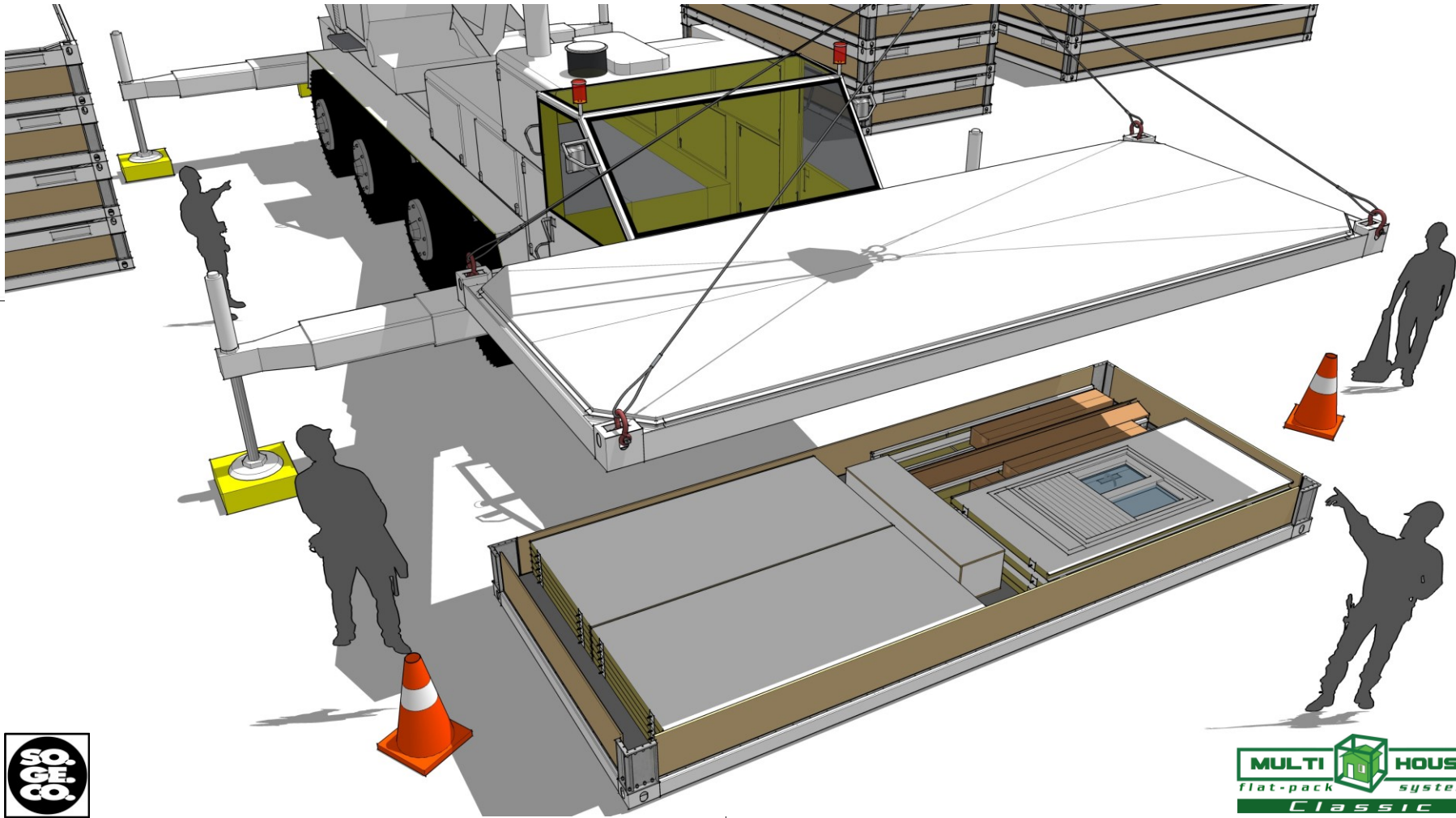
D

E

E

F

F



1

2

3

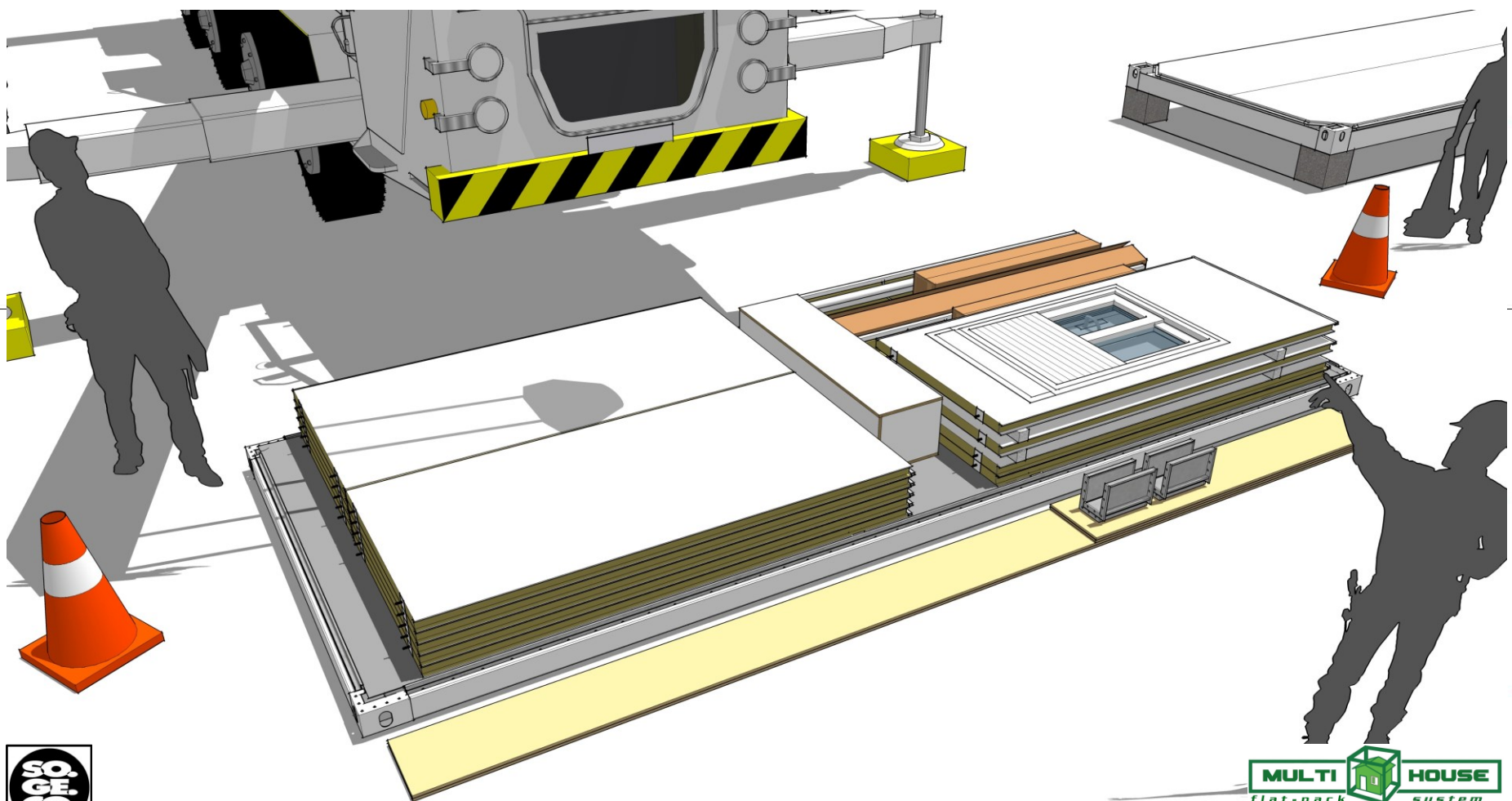
4

5

6

7

***The kit contains all necessary components for a proper assembly***





1

2

3

4

5

6

7

8

A

A

**Remove all the components from the base**

B

B

C

C

D

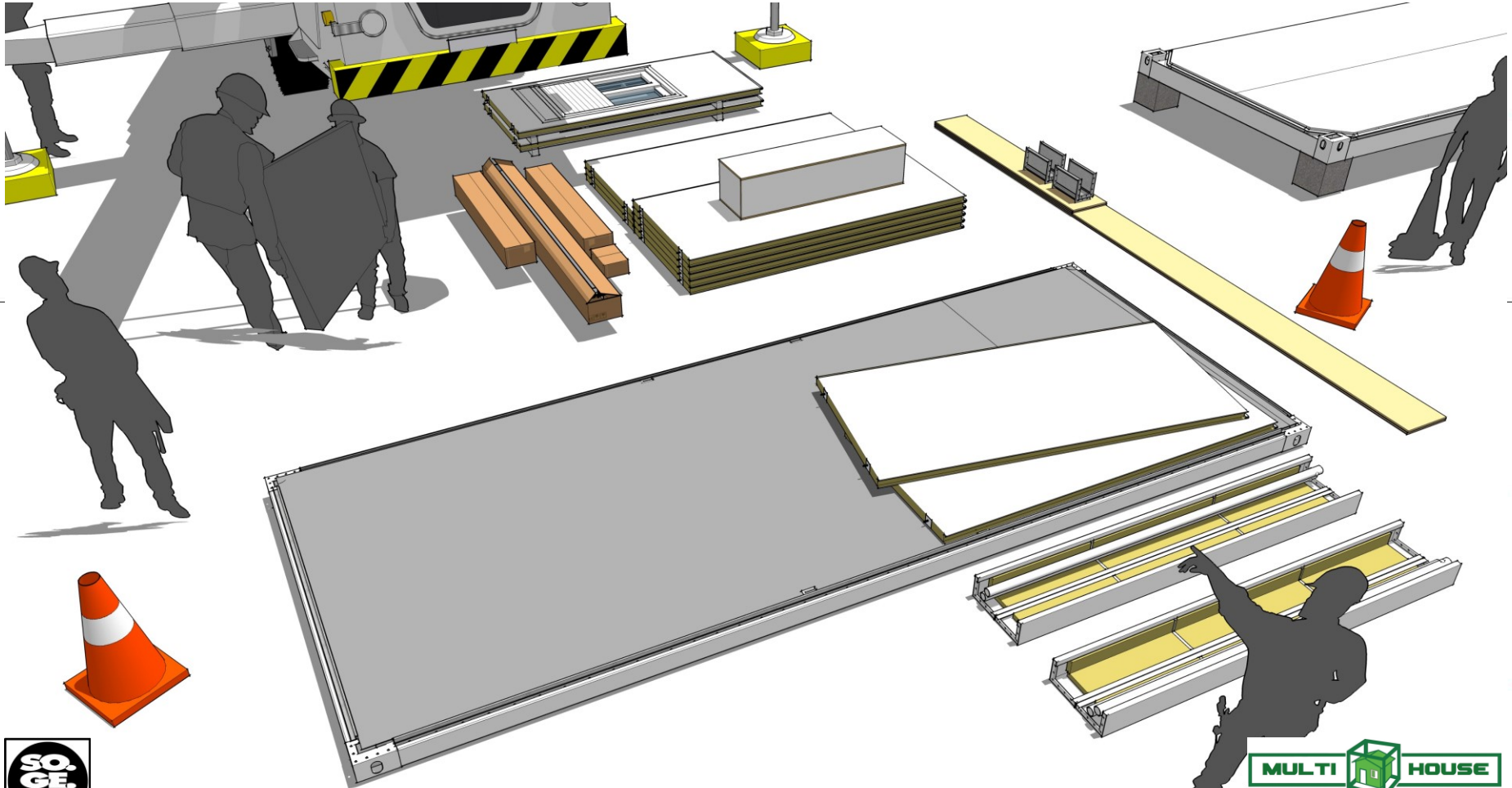
D

E

E

F

F



1

2

3

4

5

6

7

1

2

3

4

5

6

7

8

A

A

***Position the corner posts***

B

B

C

C

D

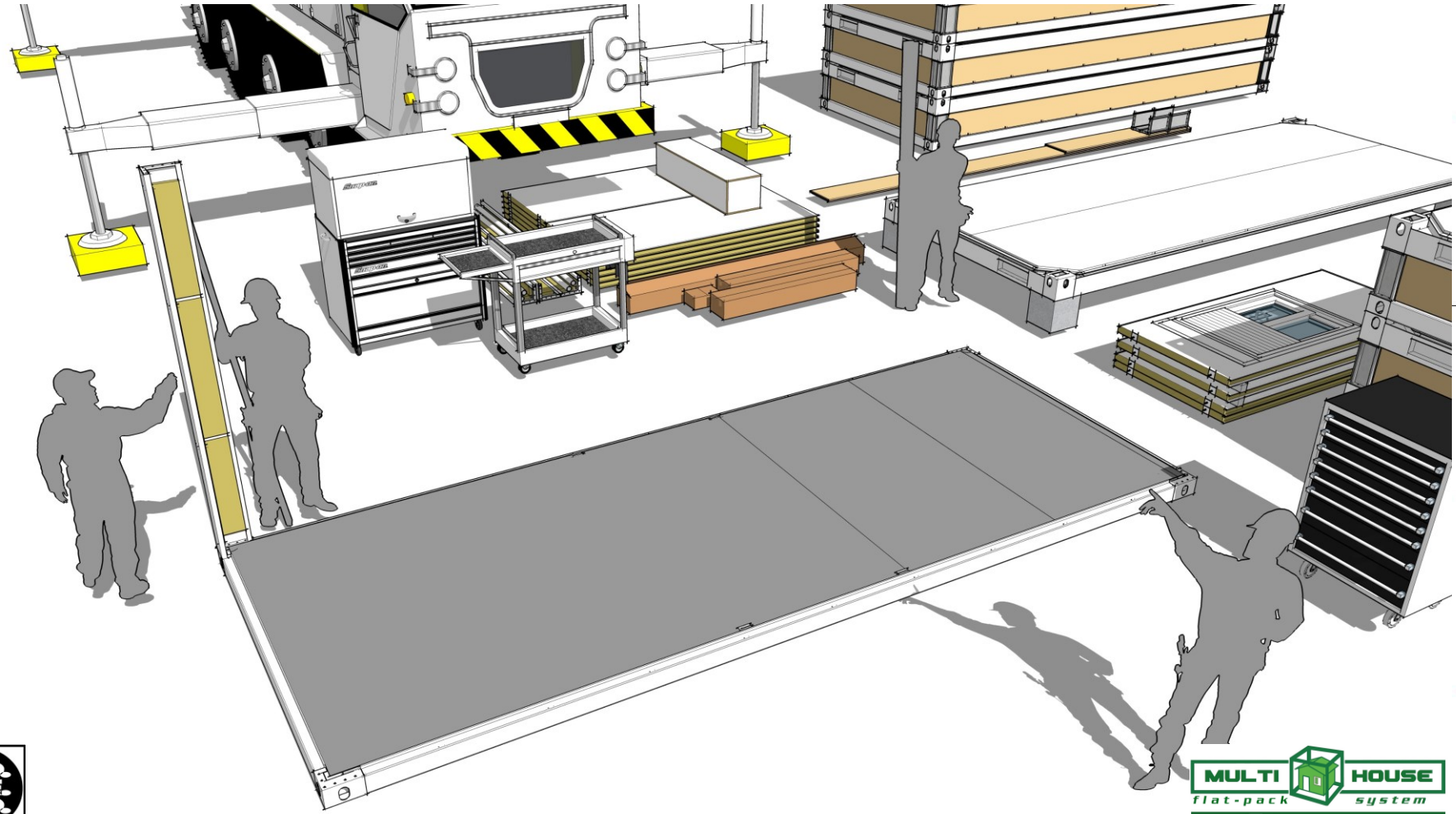
D

E

E

F

F



1

2

3

4

5

6

7

**Fix the corner post by using M12 x 40 screws. Keep it loose to allow adjustment when installing the roof**





1

2

3

4

5

6

7

8

A

B

C

D

E

F

A

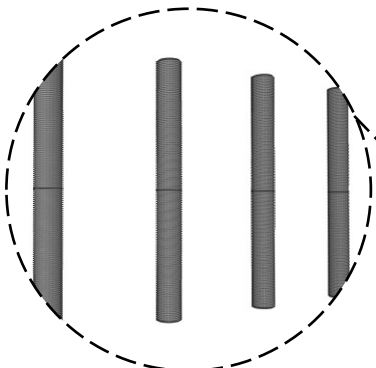
B

C

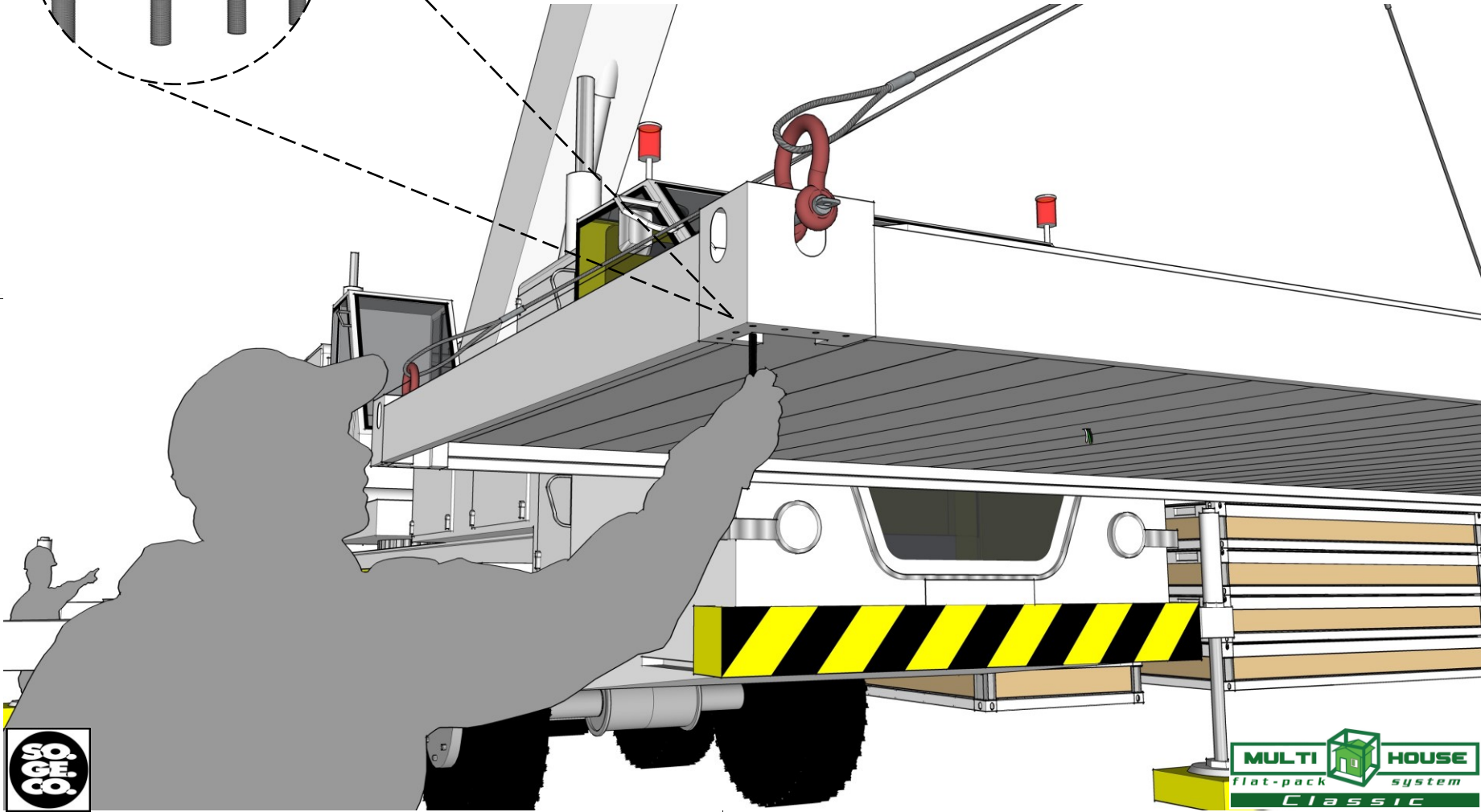
D

E

F



***Insert 4 threaded pins, one on each corner of roof frame – this is for easy corner posts to roof frame installation***



1

2

3

4

5

6

7

1

2

3

4

5

6

7

8

A

A

**Position the roof frame**

B

B

C

C

D

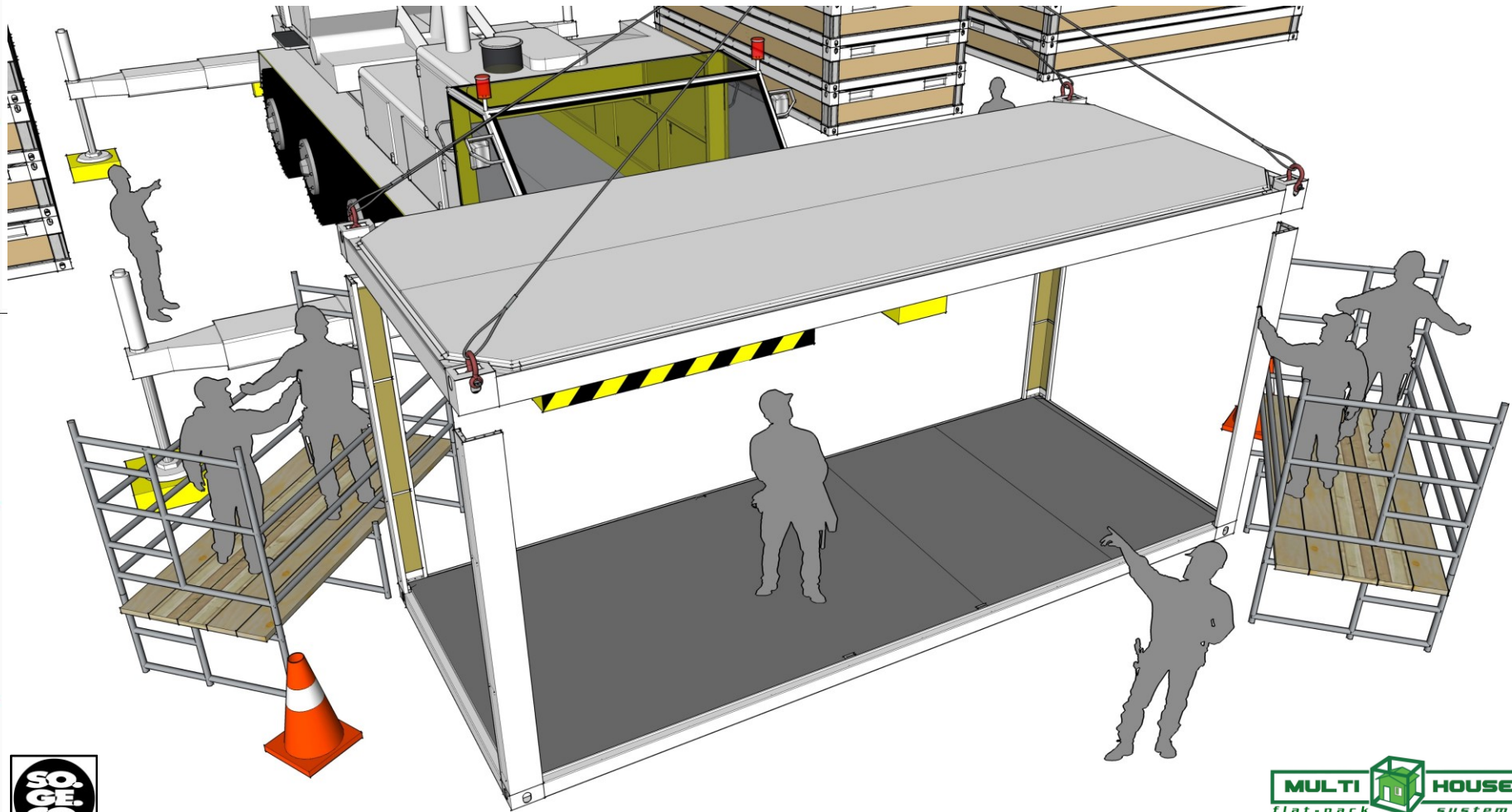
D

E

E

F

F



1

2

3

4

5

6

7

8

A

A

**Once the roof frame is set, tighten the nut of the threaded pins**

B

B

C

C

D

D

E

E

F

F



1

2

3

4

5

6

7

1

2

3

4

5

6

7

8

A

A

***Tighten all screws on all 4  
corner posts***

B

B

C

C

D

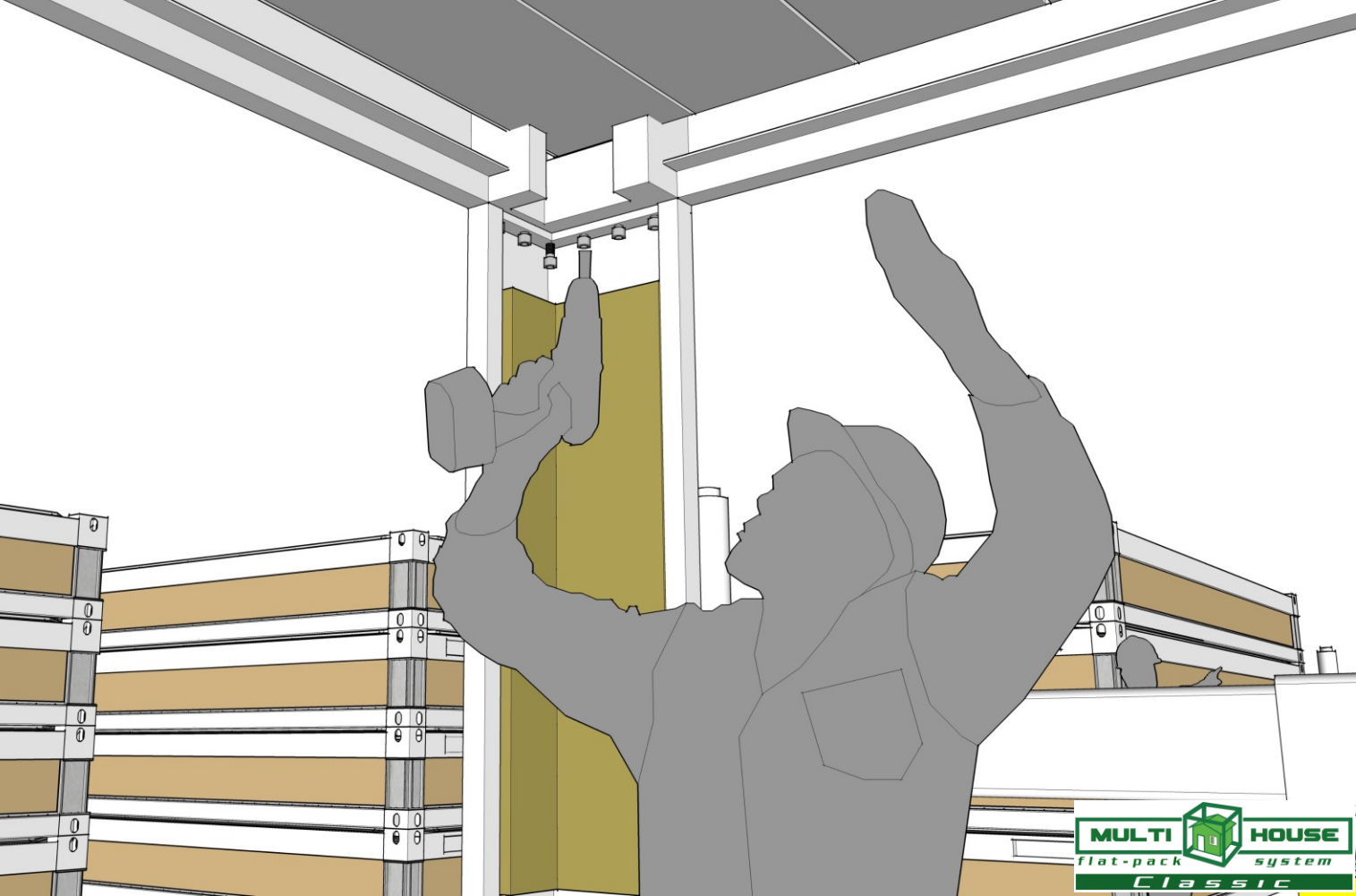
D

E

E

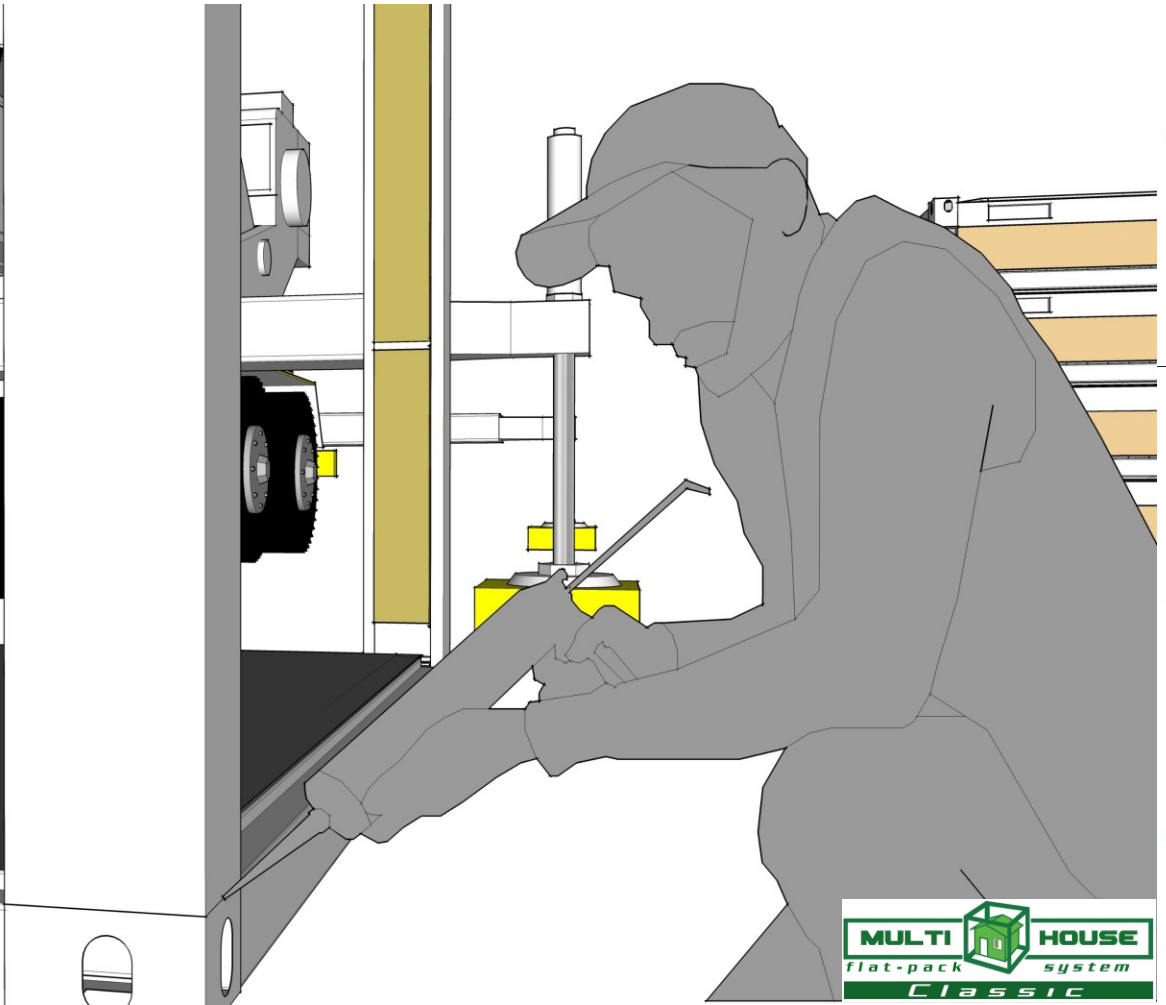
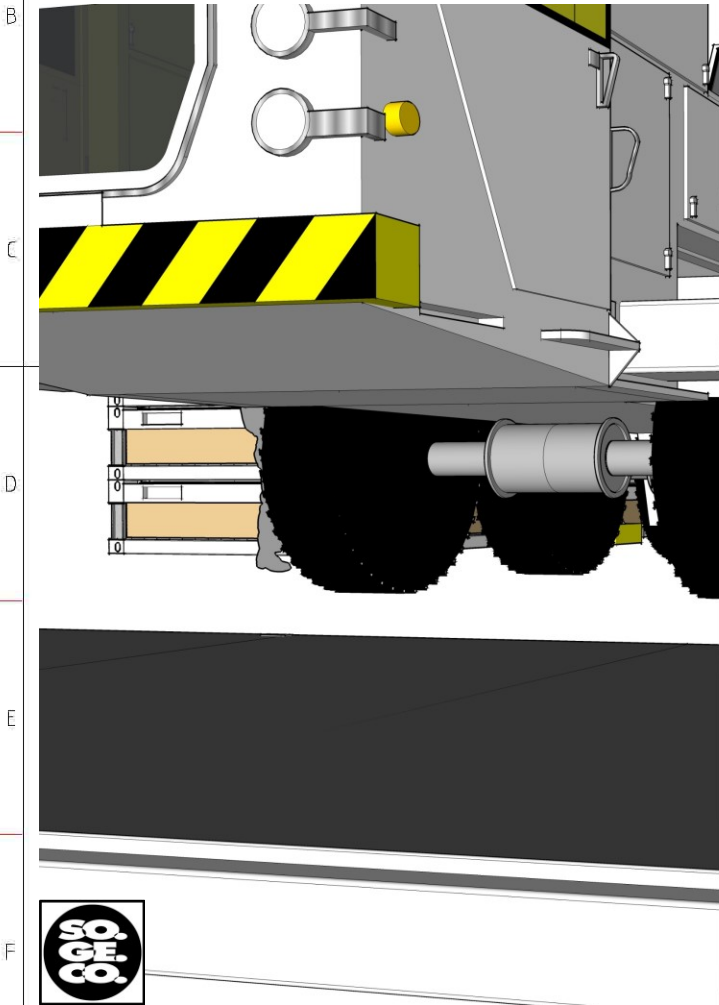
F

F



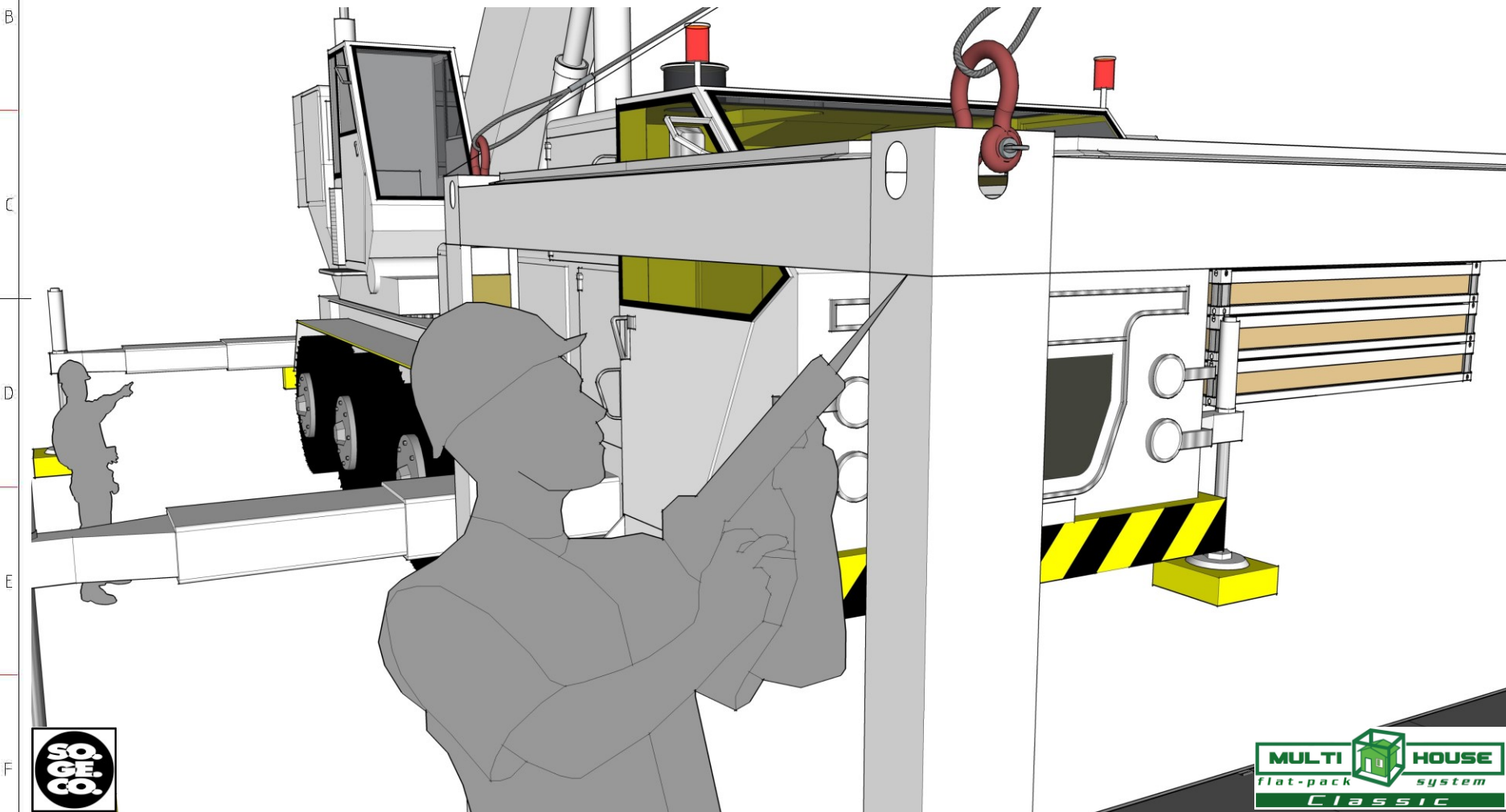


**Seal the bottom joints between  
the floor frame and corner  
posts with silicon**

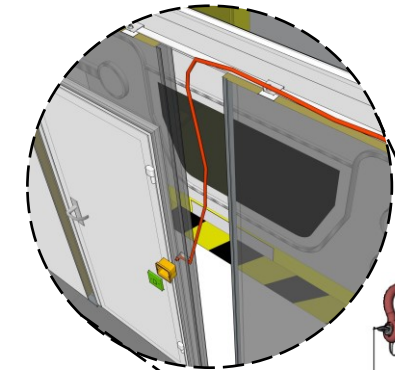




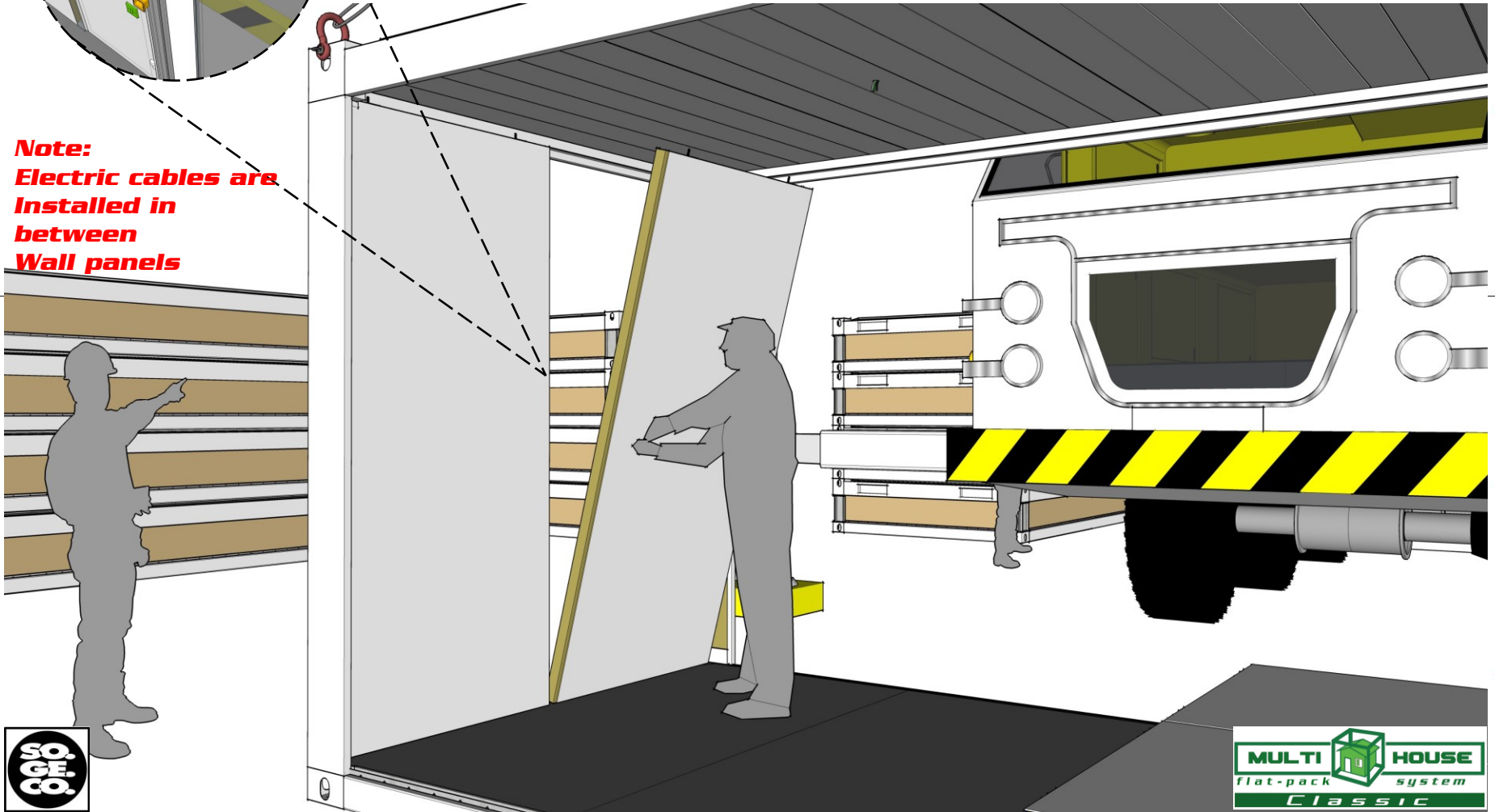
**Seal the top joints between the roof frame and corner posts with silicon**



**Install panels, door/s and window/s  
as per approved drawings**



**Note:**  
**Electric cables are  
Installed in  
between  
Wall panels**



1

2

3

4

5

6

7

8

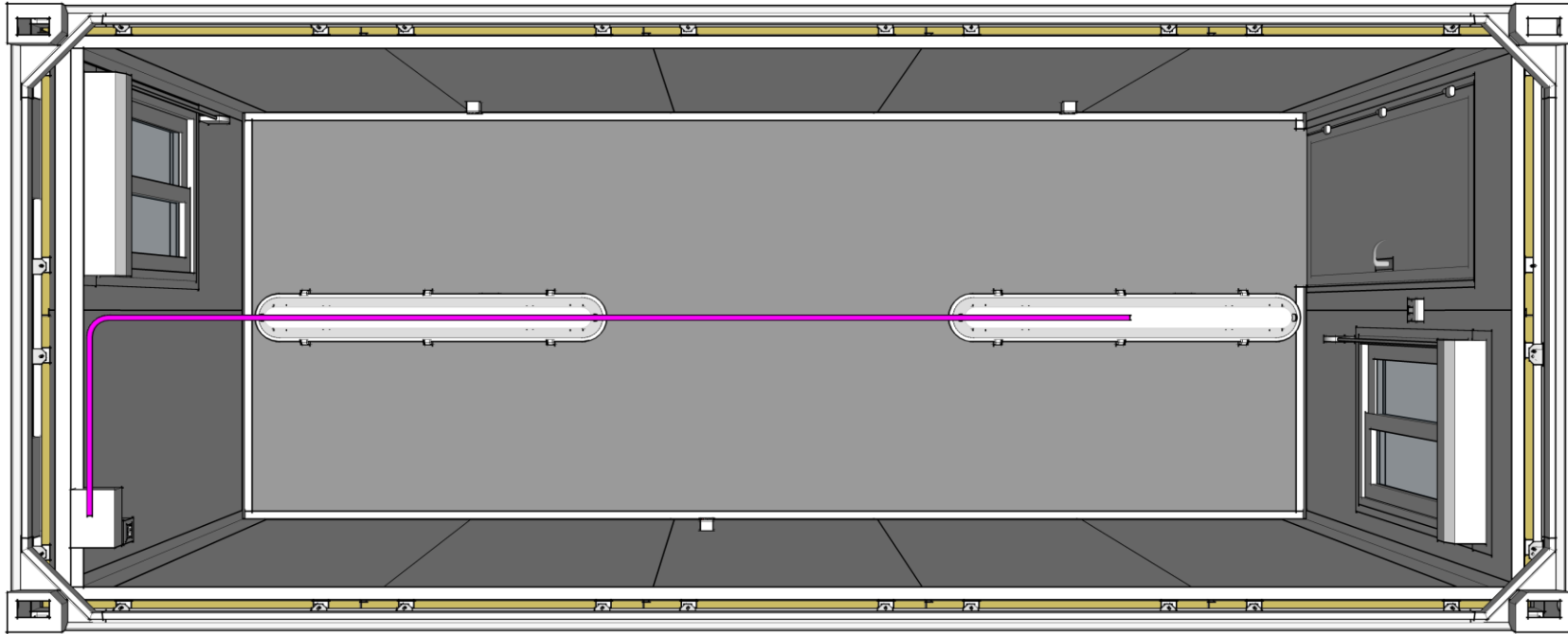
A

A

**Approved layout**

B

B



C

C

D

D

E

E

F

F



1

2

3

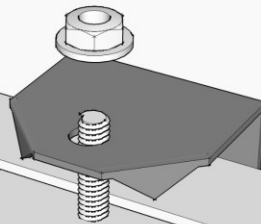
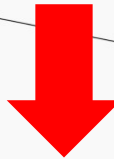
4

5

6

7

***Insert the locking plates on the panel top threaded rods***



1

2

3

4

5

6

7

8

A

A

**Tighten the locking plates with  
M8 bolt and washer**

B

B

C

C

D

D

E

E

F

F



1

2

3

4

5

6

7

1

2

3

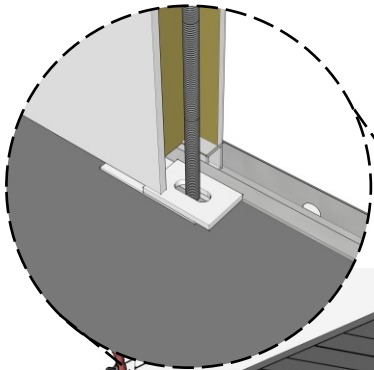
4

5

6

7

**Install the M10 full threaded iron rod on the middle of the long side (location is after the 2<sup>nd</sup> and after the 3<sup>rd</sup> wall panel)**





1

2

3

4

5

6

7

8

A

A

***Insert the threaded iron rod  
locking plate***

B

B

C

C

D

D

E

E

F

F



1

2

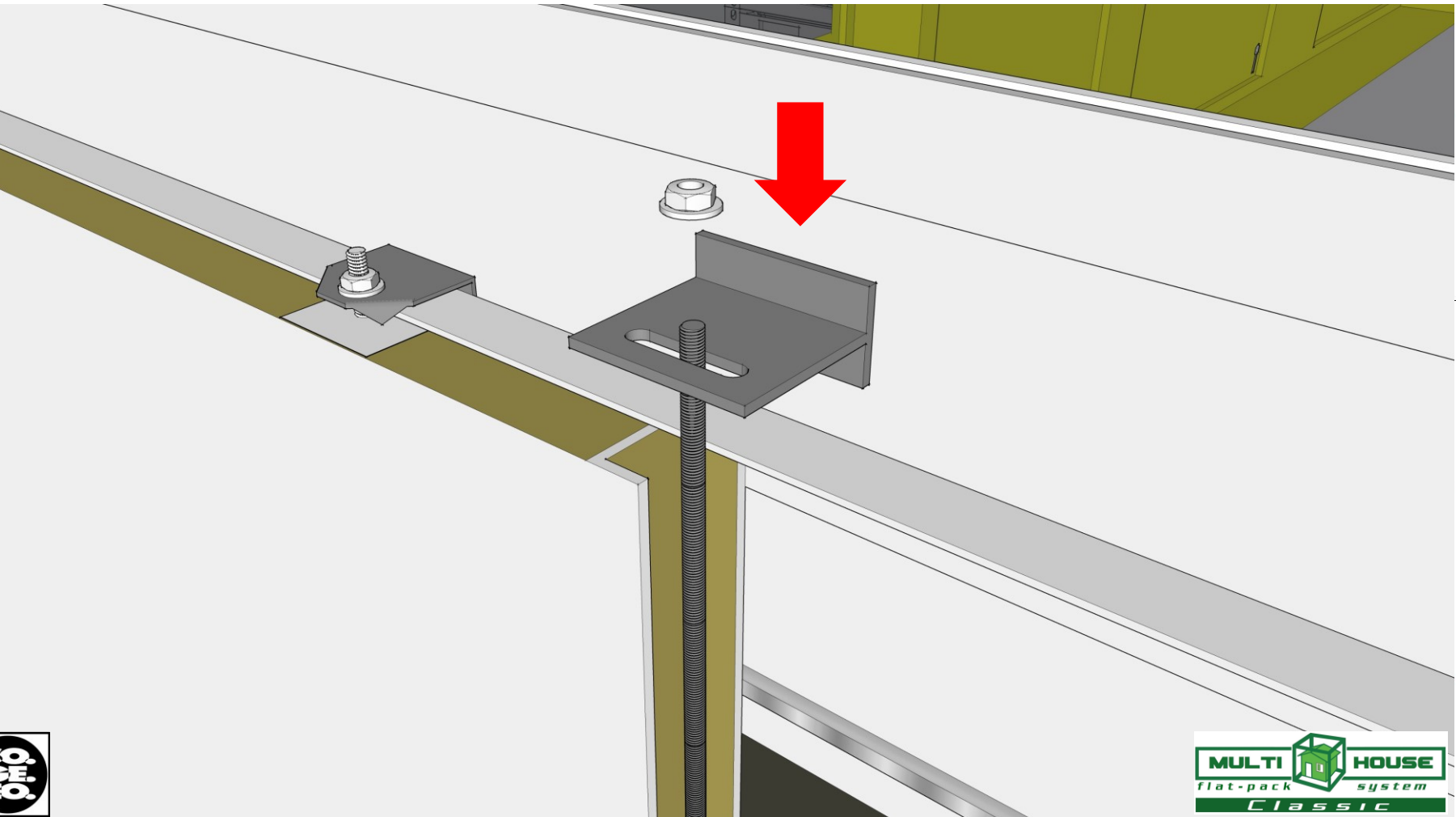
3

4

5

6

7



1

2

3

4

5

6

7

8

A

A

**Tighten it with M10 bolt and washer**

B

B

C

C

D

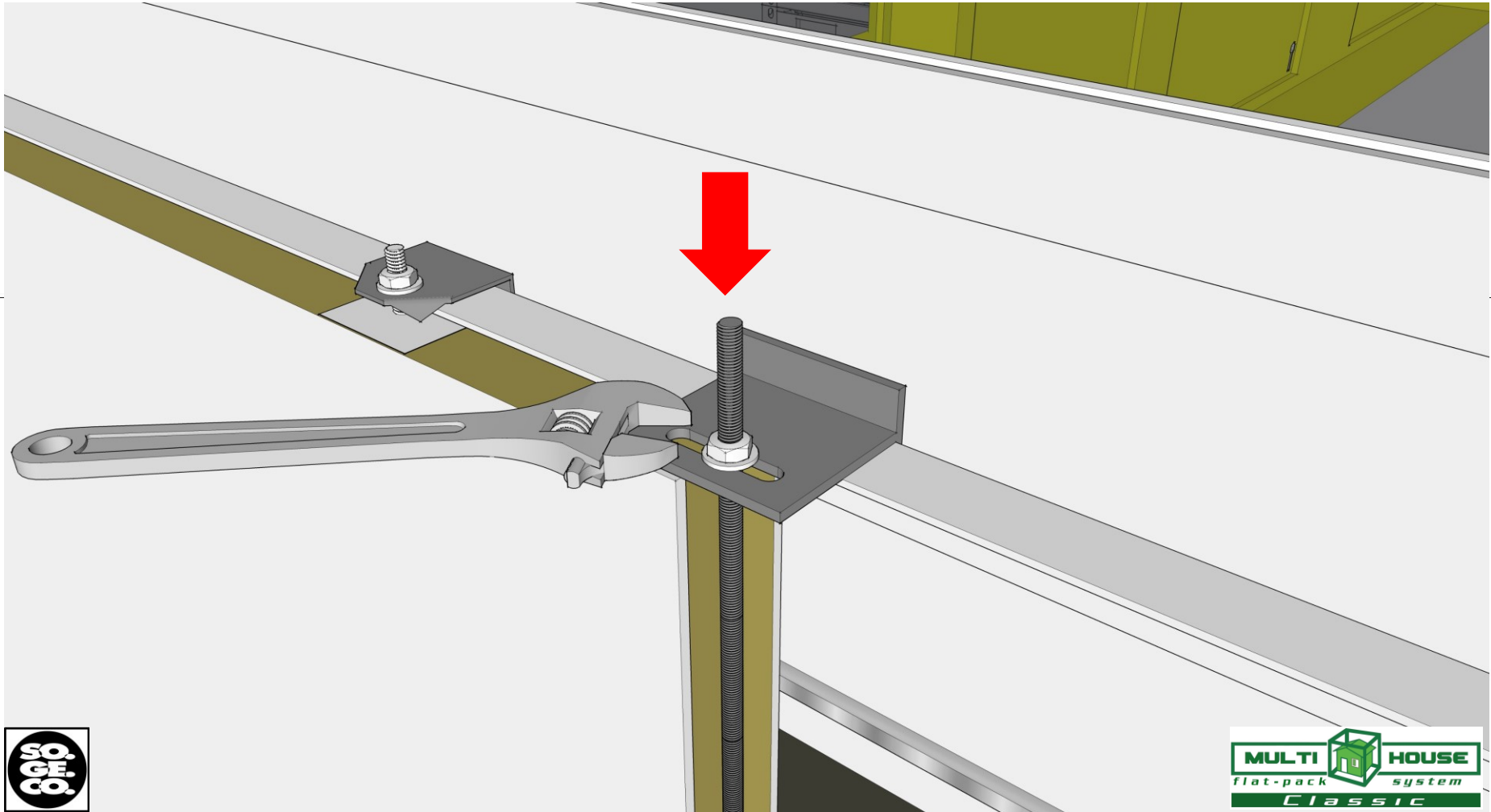
D

E

E

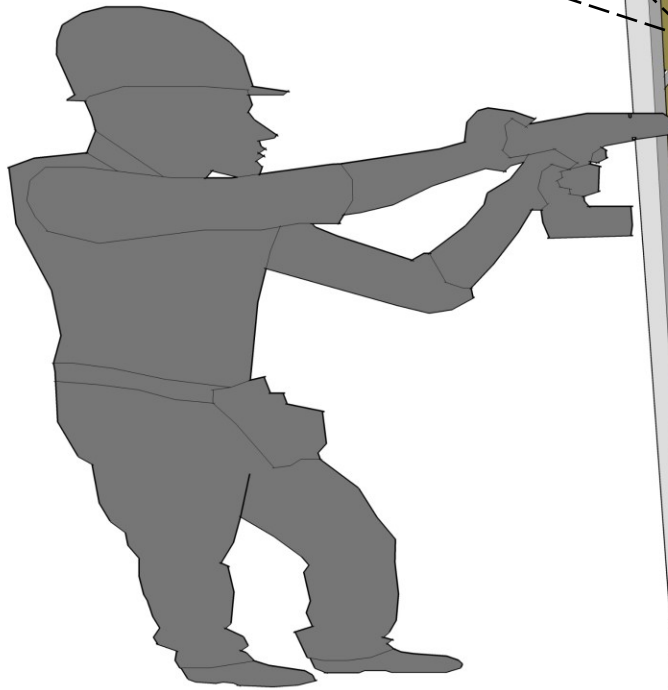
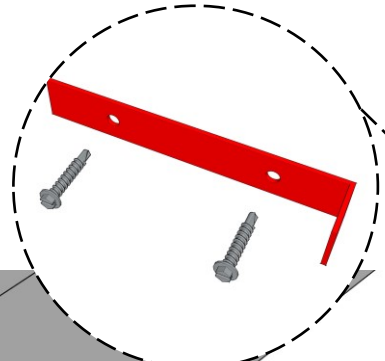
F

F

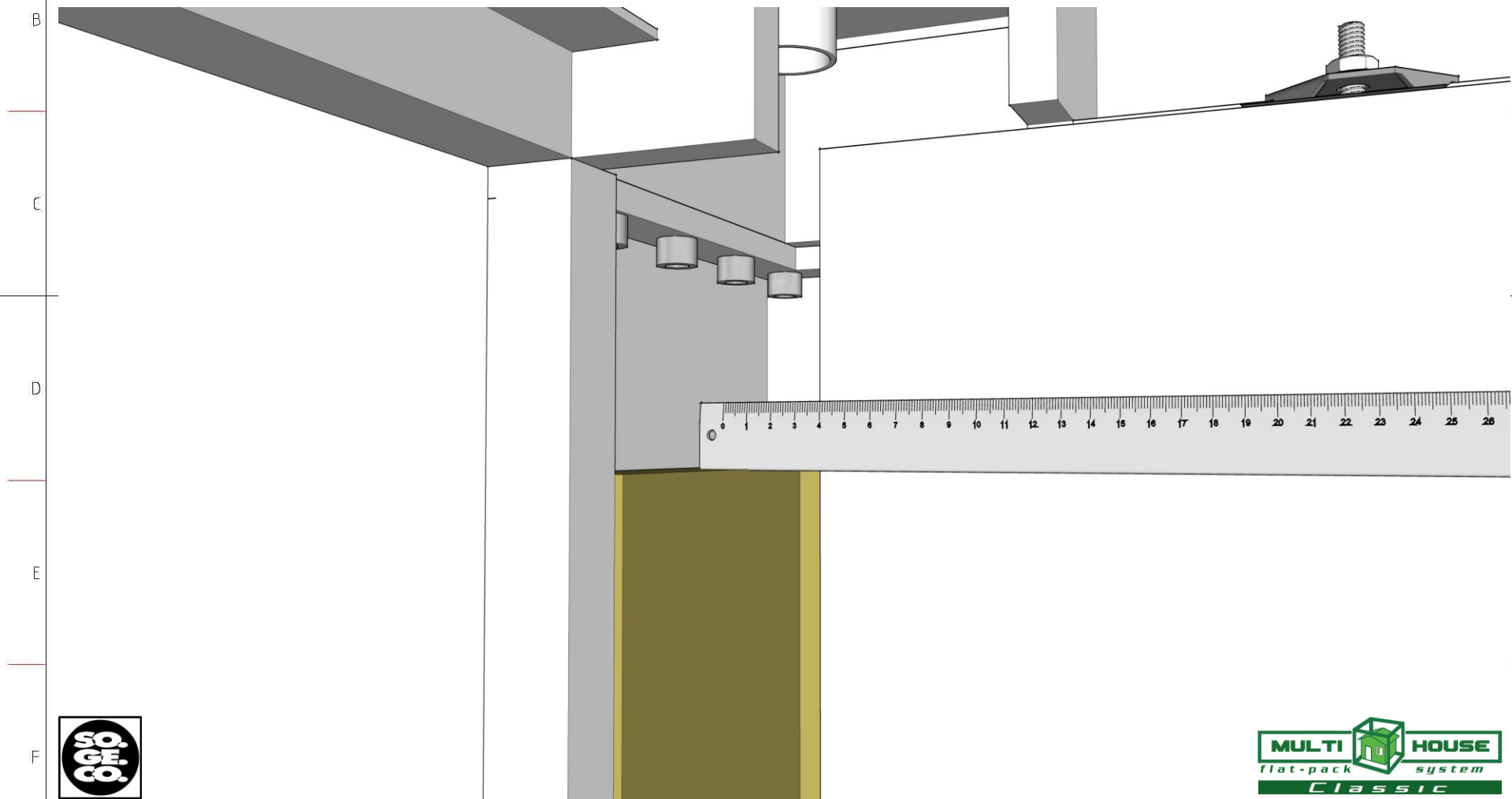




**In the *long side*, fix the (L-shape) metal spacer with M4x20 screws to the corner post reinforcements to position the panel.  
Distance is approx. 130 mm**



***In short side, position the panel  
40 mm from the corner post***



1

2

3

4

5

6

7

8

A

A

**Drill a 5cm hole in the corner post reinforcements**

B

B

C

C

D

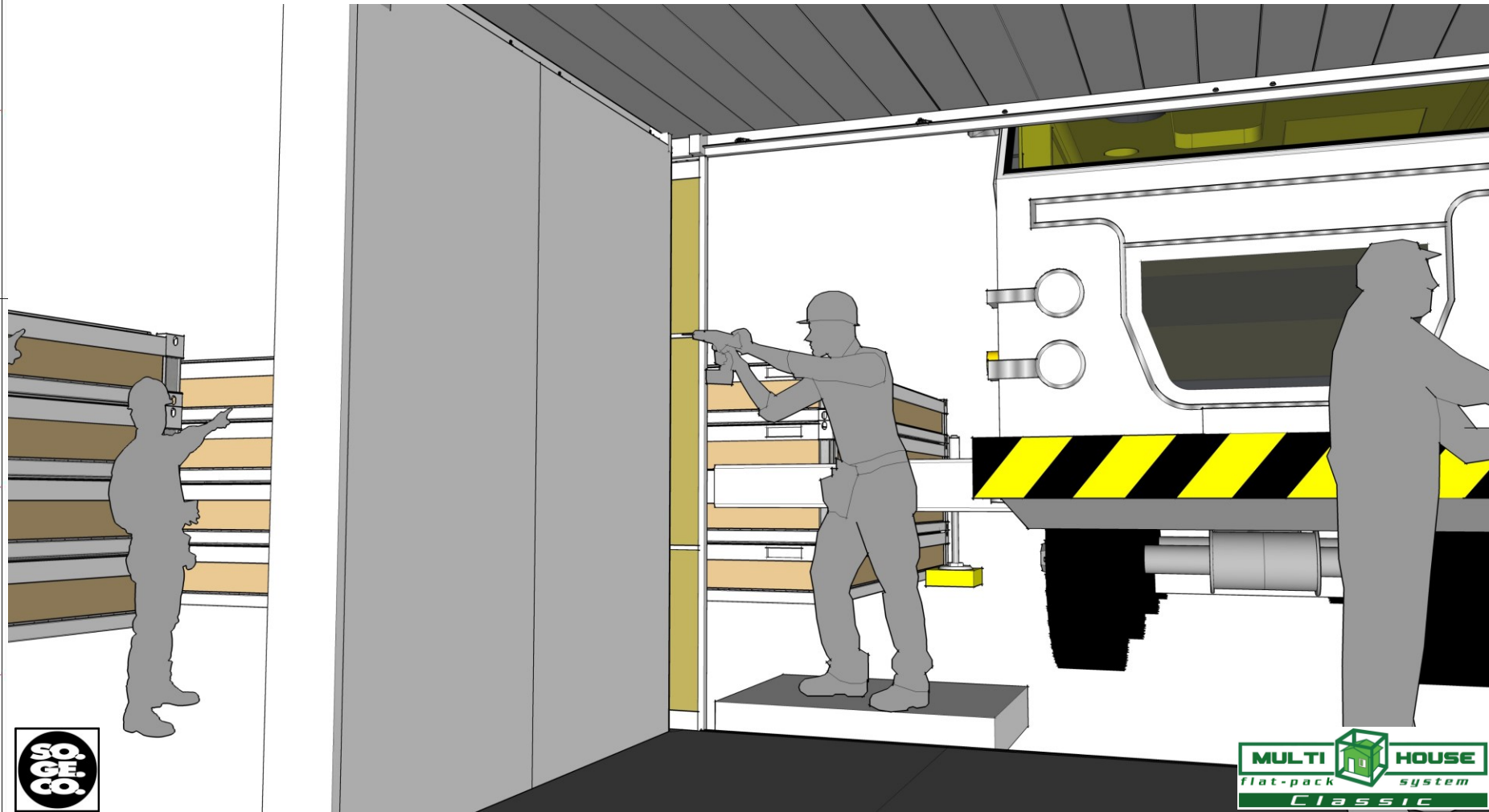
D

E

E

F

F



1

2

3

4

5

6

7

1

2

3

4

5

6

7

8

A

A

**Fix the end panels with 90mm long screws**

B

B

C

C

D

D

E

E

F

F



1

2

3

4

5

6

7



1

2

3

4

5

6

7

8

A

A

**Location of corner post reinforcements**

B

B

C

C

D

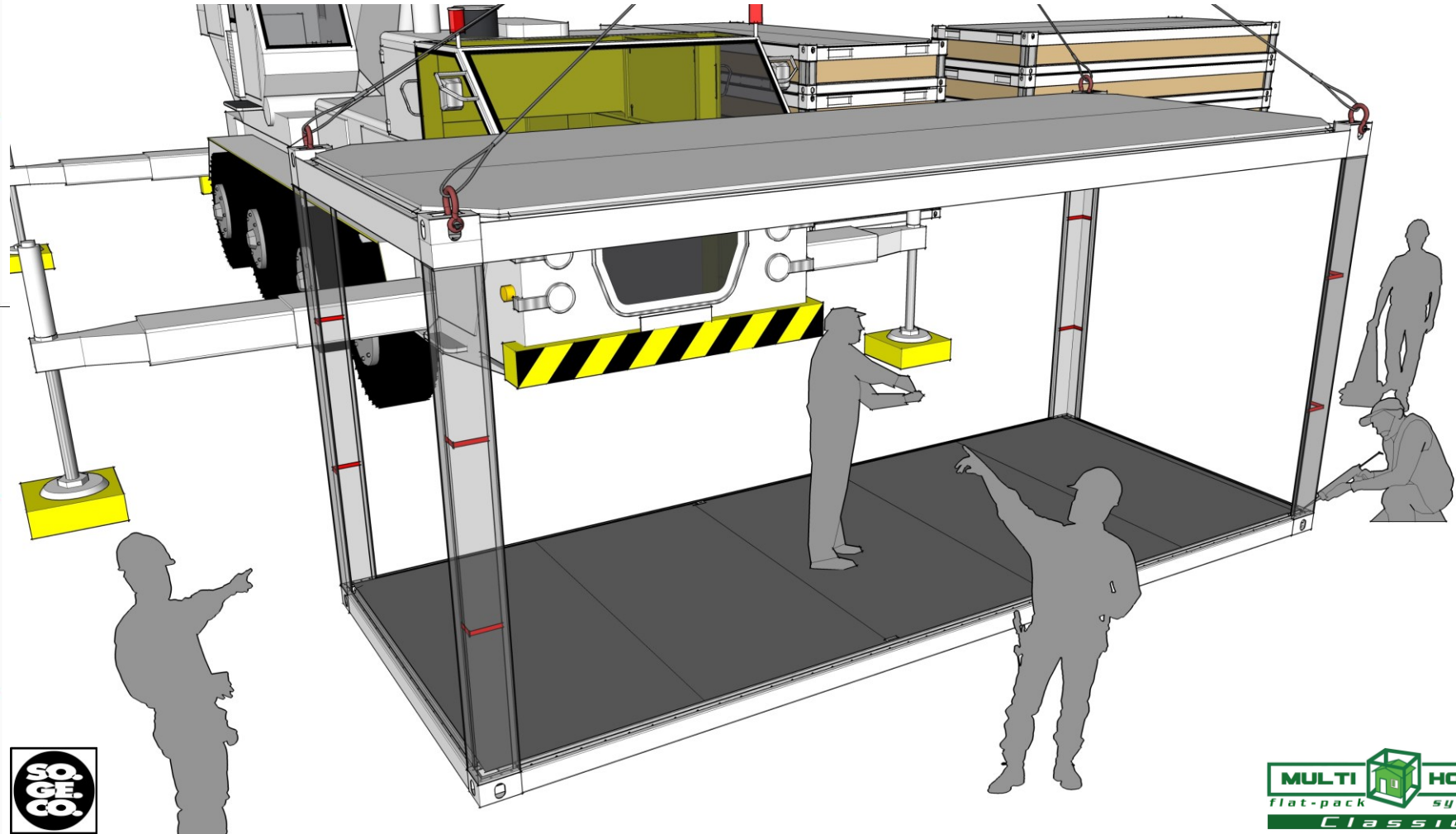
D

E

E

F

F





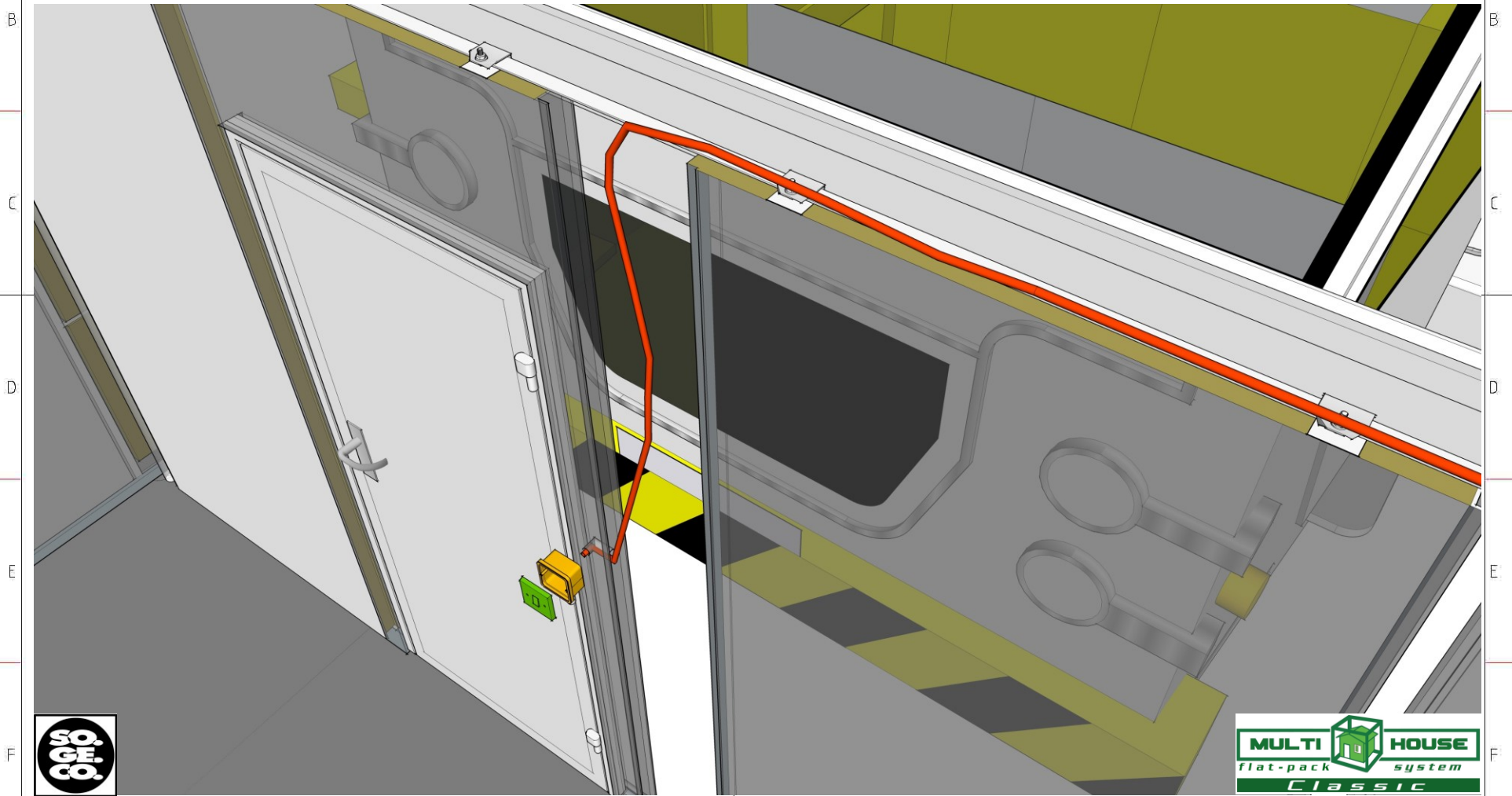
**Wall panels are interchangeable,  
however, this will affect the  
position of sockets and switches  
and length of electric cables**



**Fit the PVC drain pipes on 4 corners –  
Insert the bottom part, then bend it  
a little and push top end to upper  
corner**

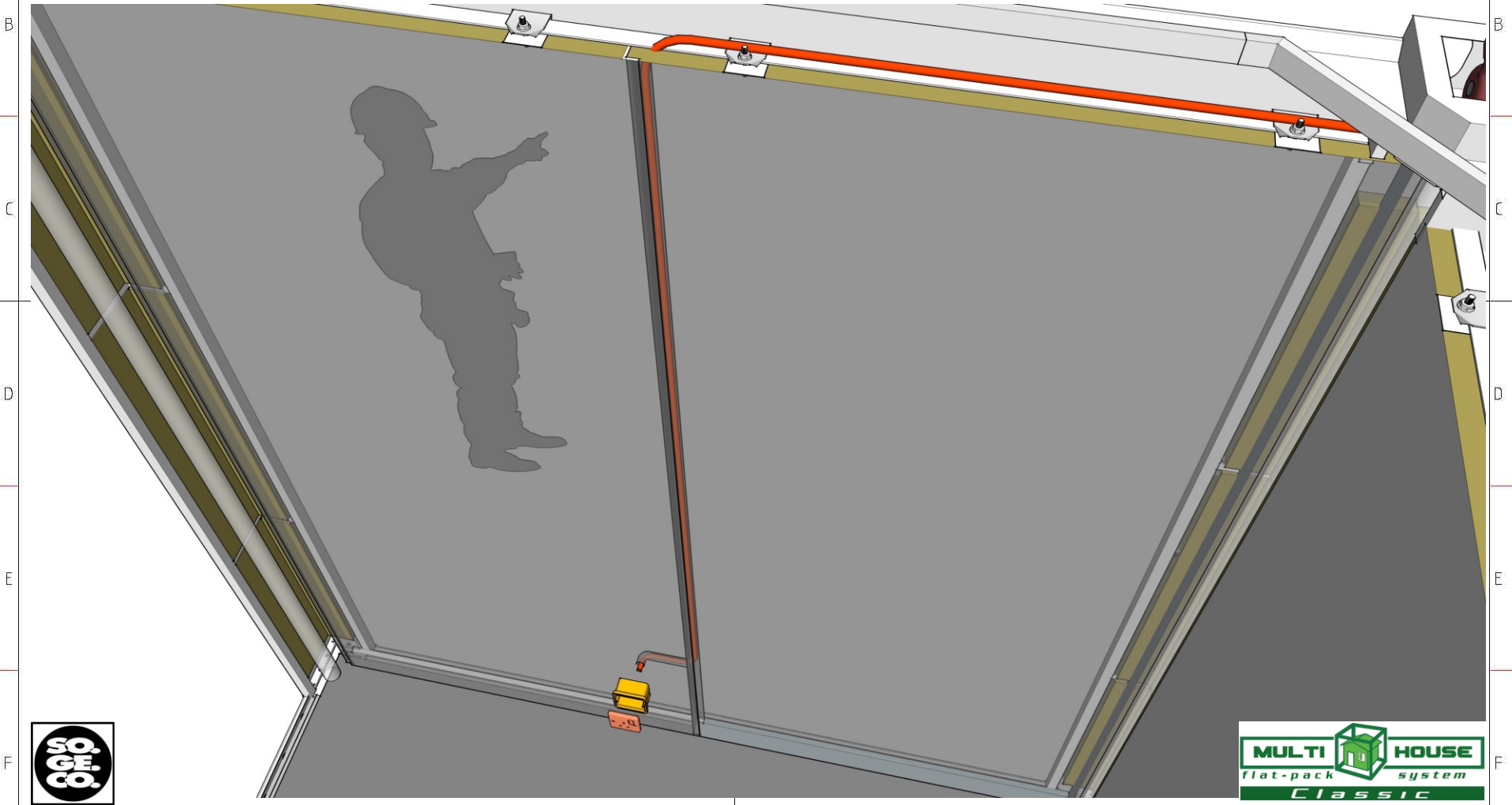


**Wiring system for units with  
Sandwich mineral wool panels  
Cables installed in between panels**

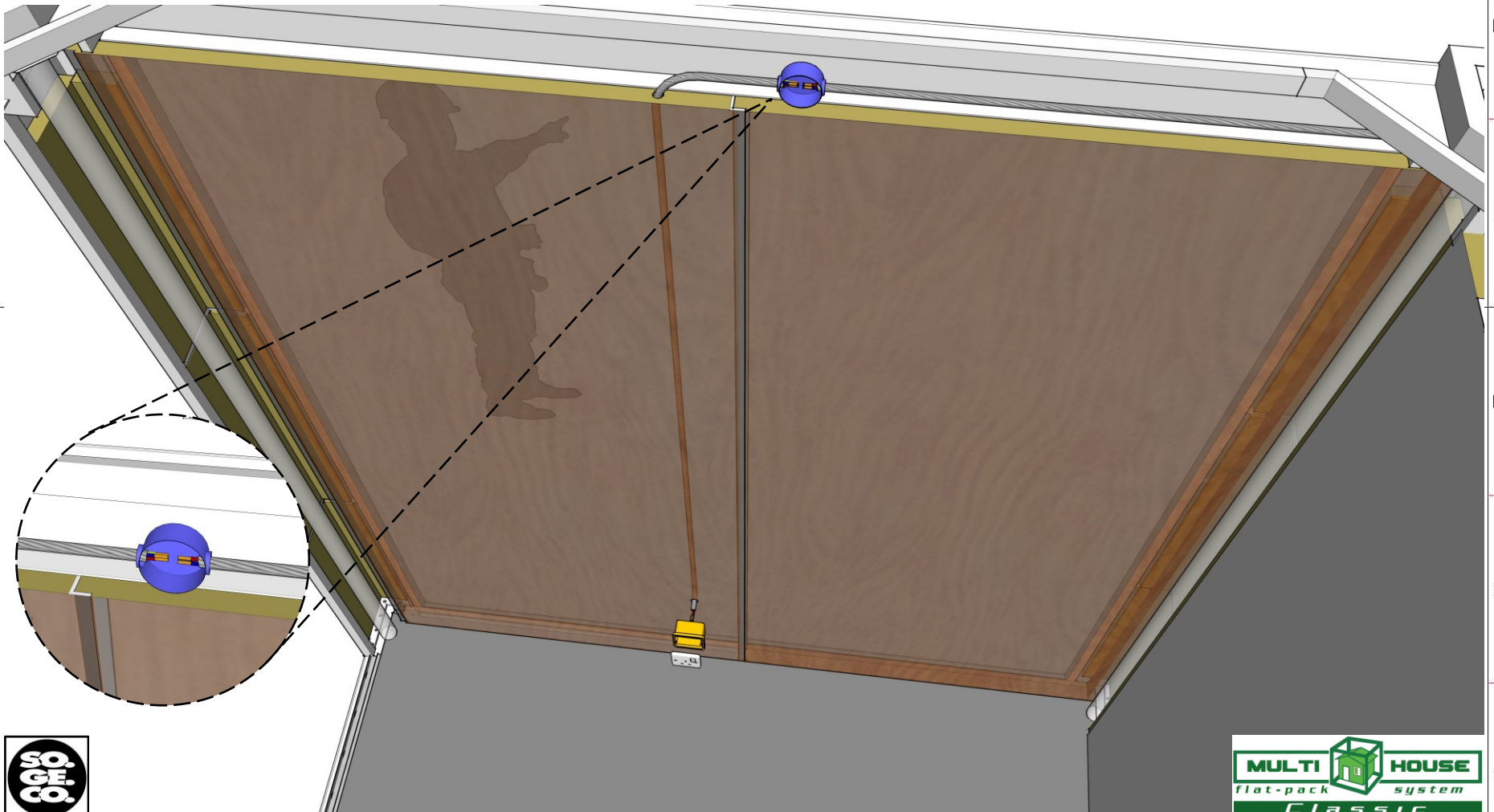




**Wiring system for units with  
Sandwich mineral wool panels  
Cables installed in between panels**



**Wiring system for units with  
Chipboard panels  
Insert pre-wired conduits into junction box**



1

2

3

4

5

6

7

8

A

B

C

D

E

F

A

B

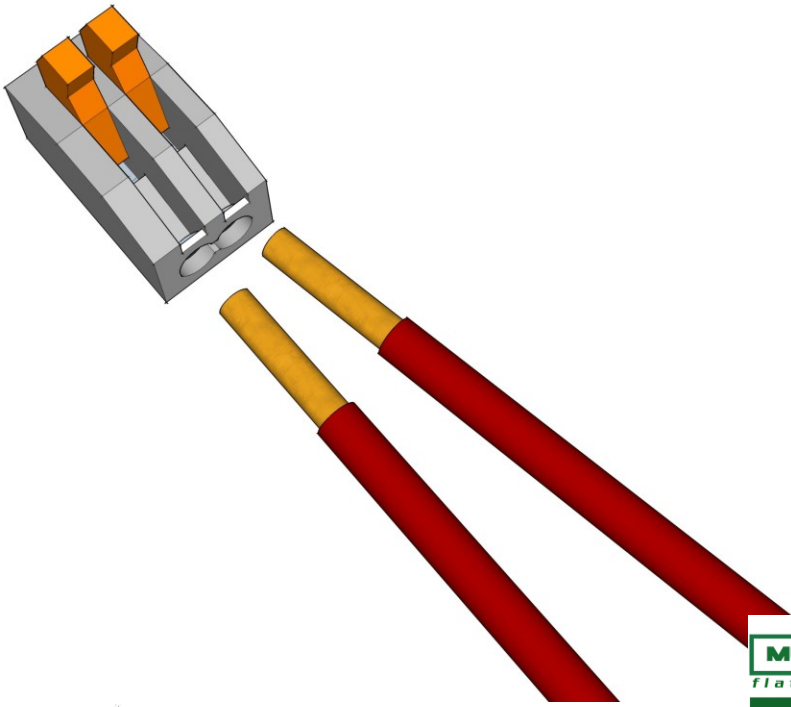
C

D

E

F

**Wiring system for units with  
*Chipboard panels*  
Plug cables in the connector**



1

2

3

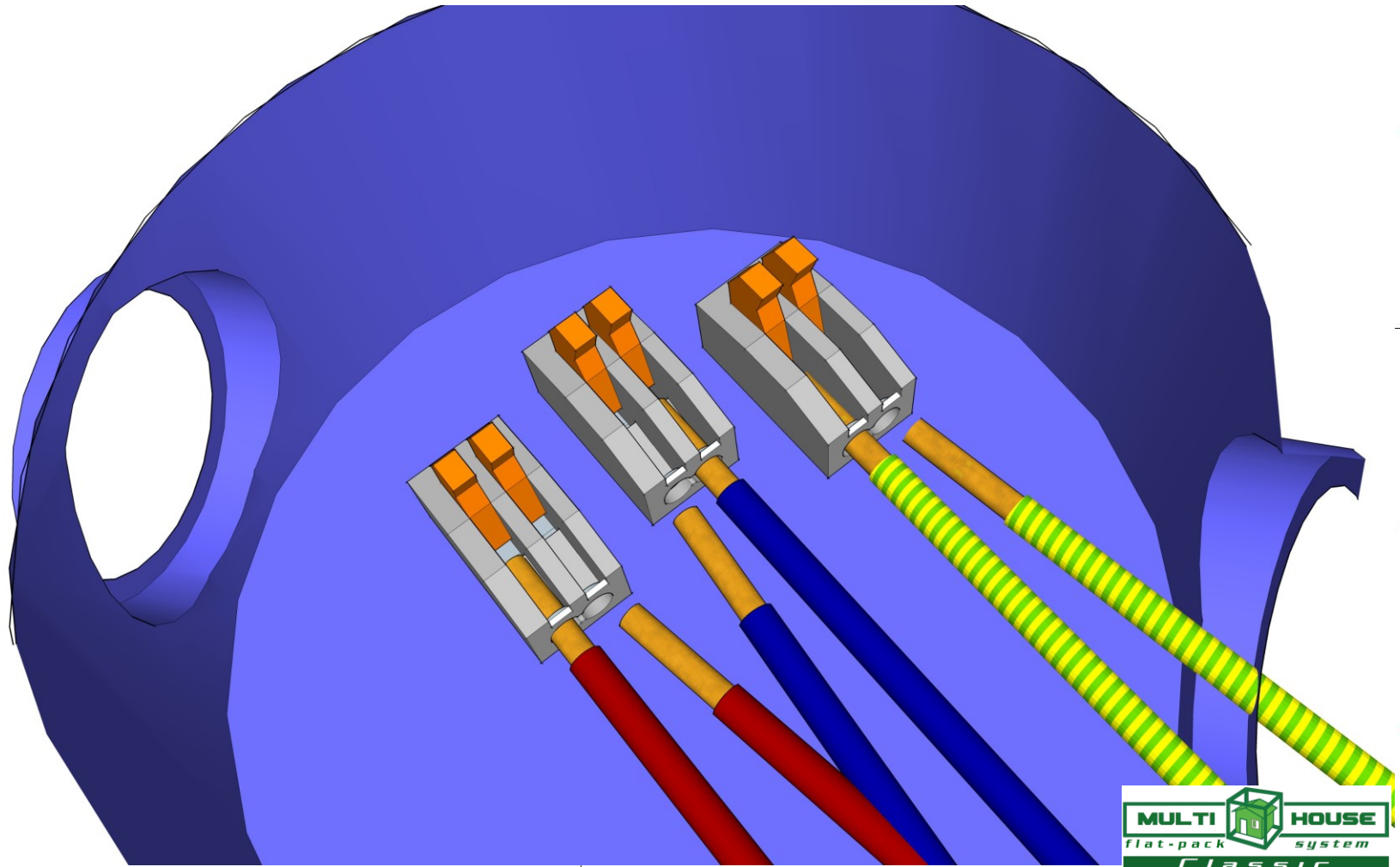
4

5

6

7

**Wiring system for units with  
Chipboard panels  
Connect all poles (match cable colors)**



1

2

3

4

5

6

7

8

A

A

***Install lighting fixtures on ceiling***

B

B

C

C

D

D

E

E

F

F





1

2

3

4

5

6

7

8

A

A

***Pull the cables through the panel pre-drilled holes***

B

B

C

C

D

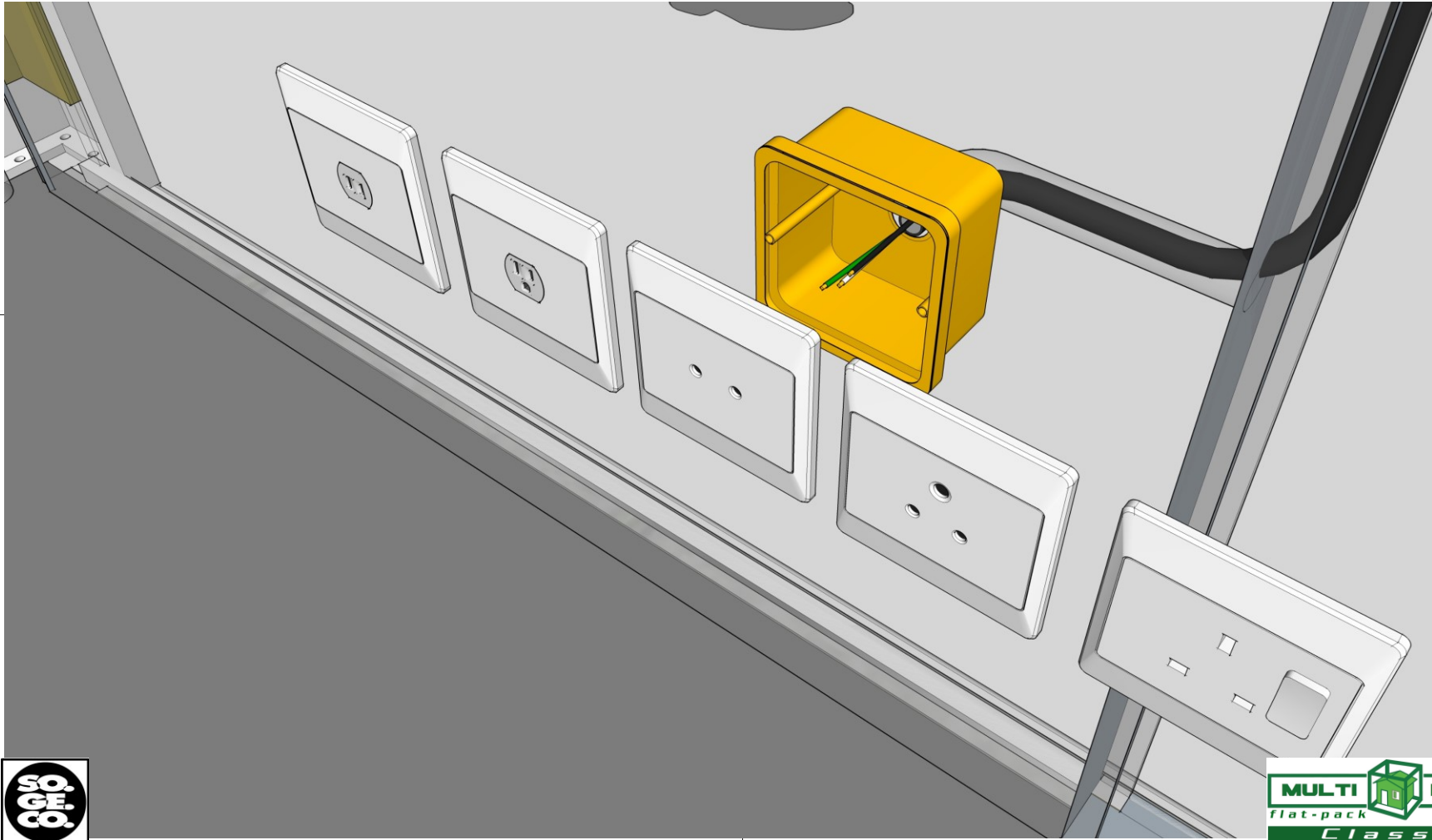
D

E

E

F

F



1

2

3

4

5

6

7

1

2

3

4

5

6

7

8

A

A

***Install the cables to the socket/switch and the cover plate***

B

B

C

C

D

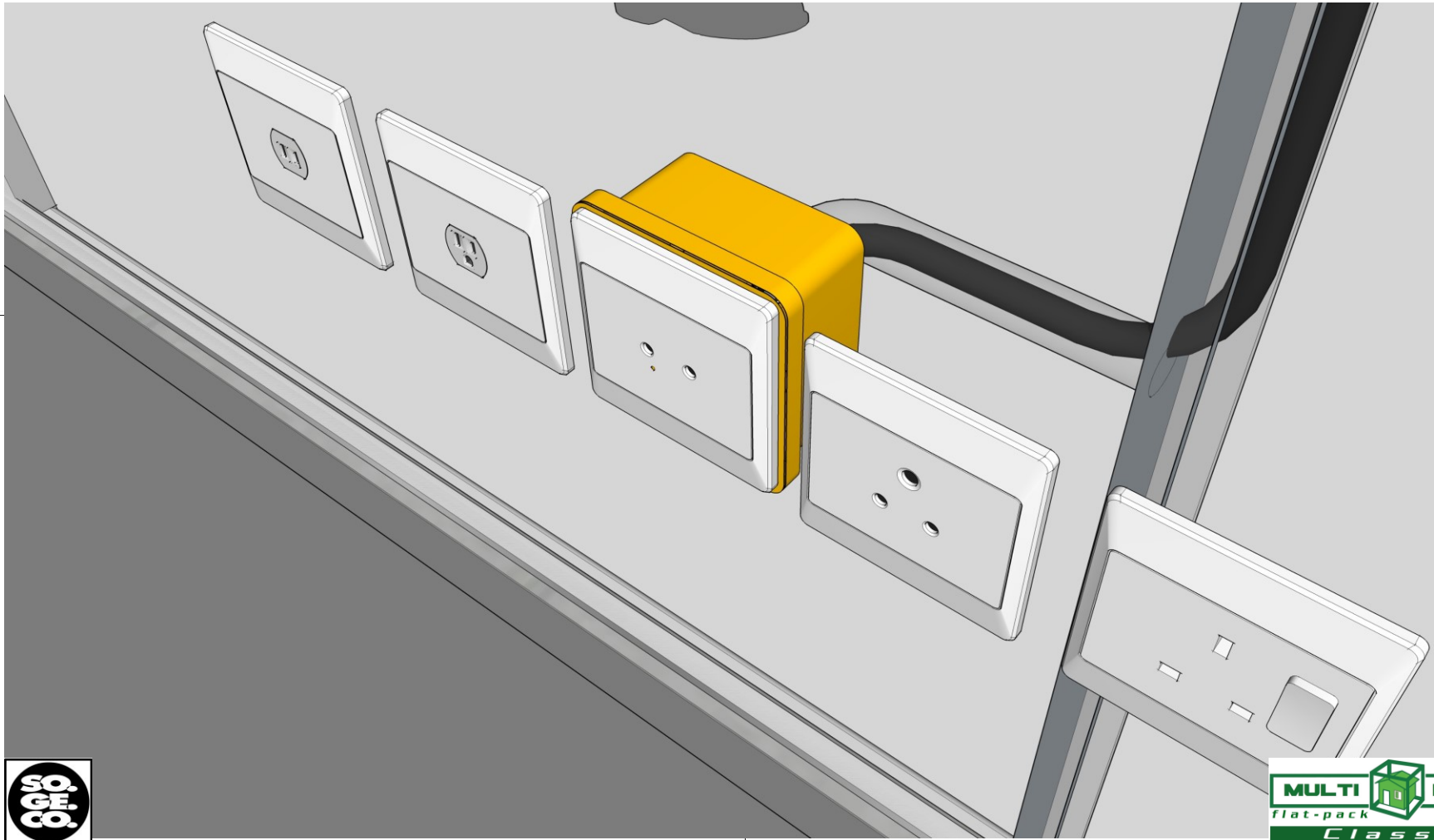
D

E

E

F

F



1

2

3

4

5

6

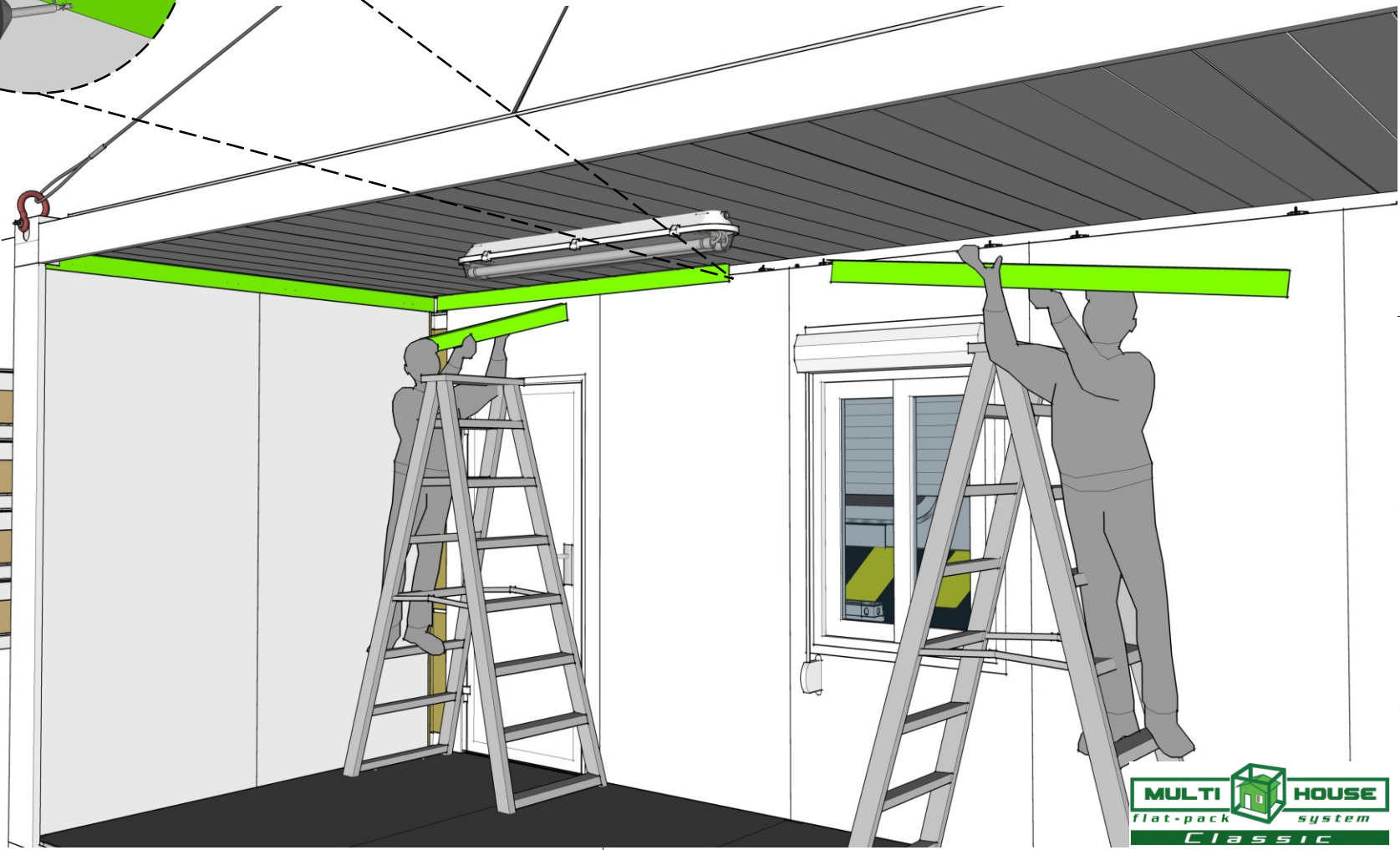
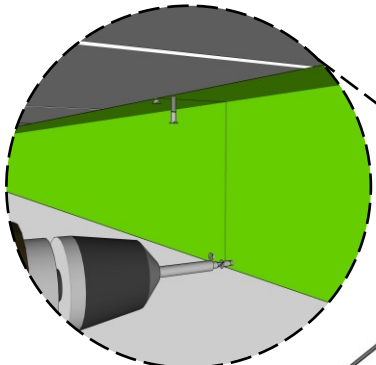
7

1 2 3 4 5 6 7 8

A  
B  
C  
D  
E  
F

A  
B  
C  
D  
E  
F

**Install the ceiling flashings. Use M5 x 35 and M5 x 90 screws**



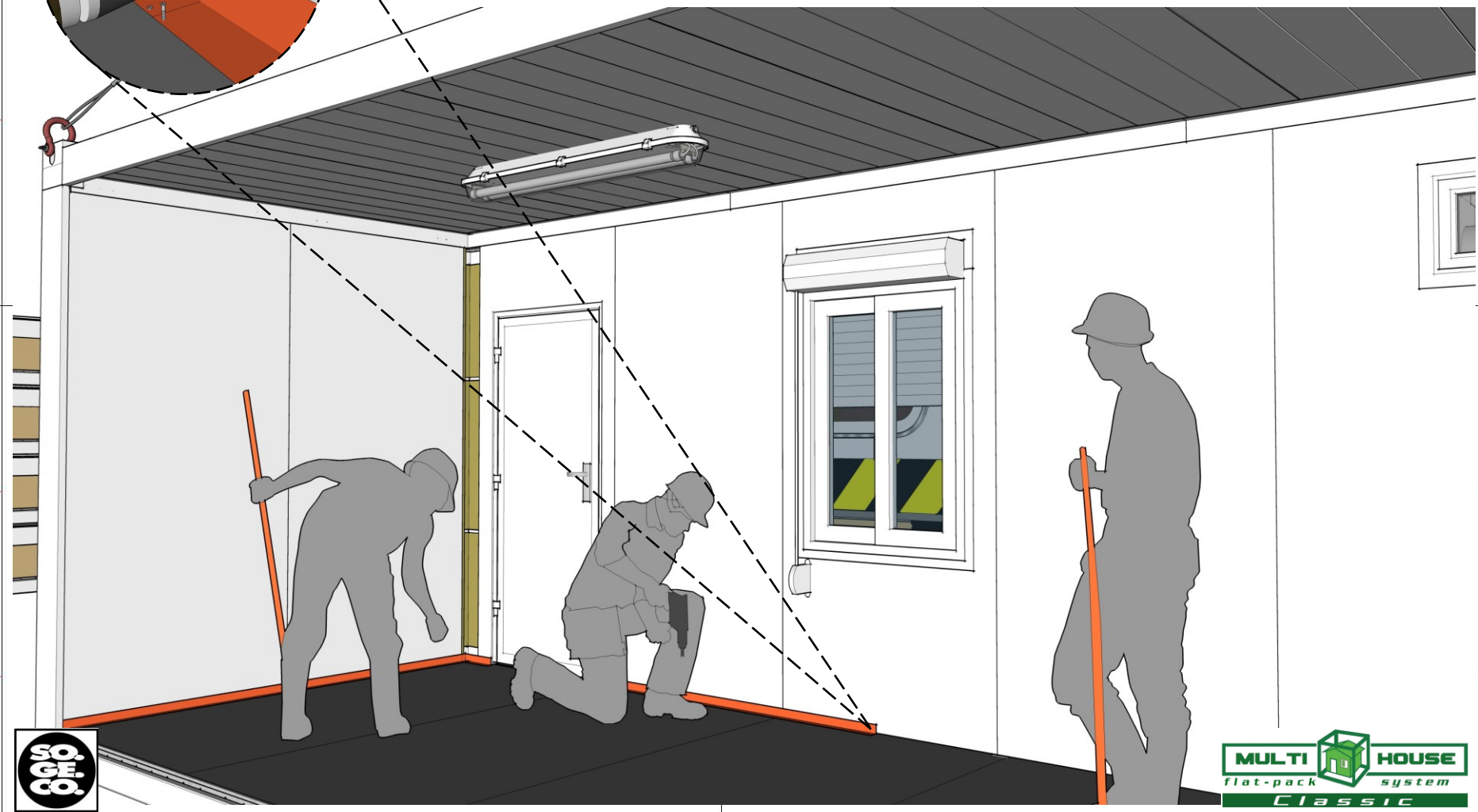
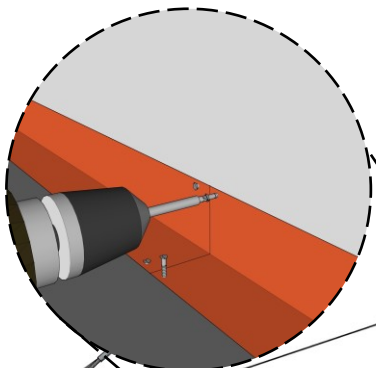
1 2 3 4 5 6 7

1 2 3 4 5 6 7 8

A  
B  
C  
D  
E  
F

A  
B  
C  
D  
E  
F

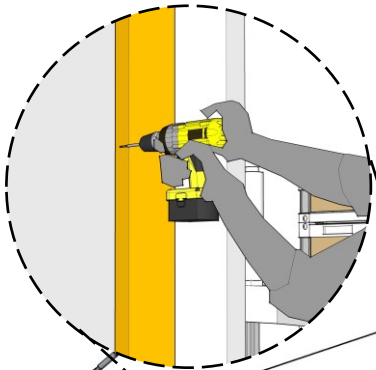
**Install the steel skirtings.  
Use M4 x 20 screws**



1 2 3 4 5 6 7



**Install corner flashings in 4 corners.  
Use M5 x 35 screws**



A  
B  
C  
D  
E  
F

A  
B  
C  
D  
E  
F

1 2 3 4 5 6 7 8

1 2 3 4 5 6 7 8





1

2

3

4

5

6

7

8

A

A

**Install the external rubber door stopper**

B

B

C

C

D

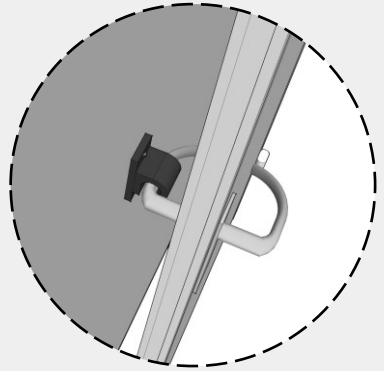
D

E

E

F

F



1

2

3

4

5

6

7

1

2

3

4

5

6

7

8

A

A

B

B

C

C

D

D

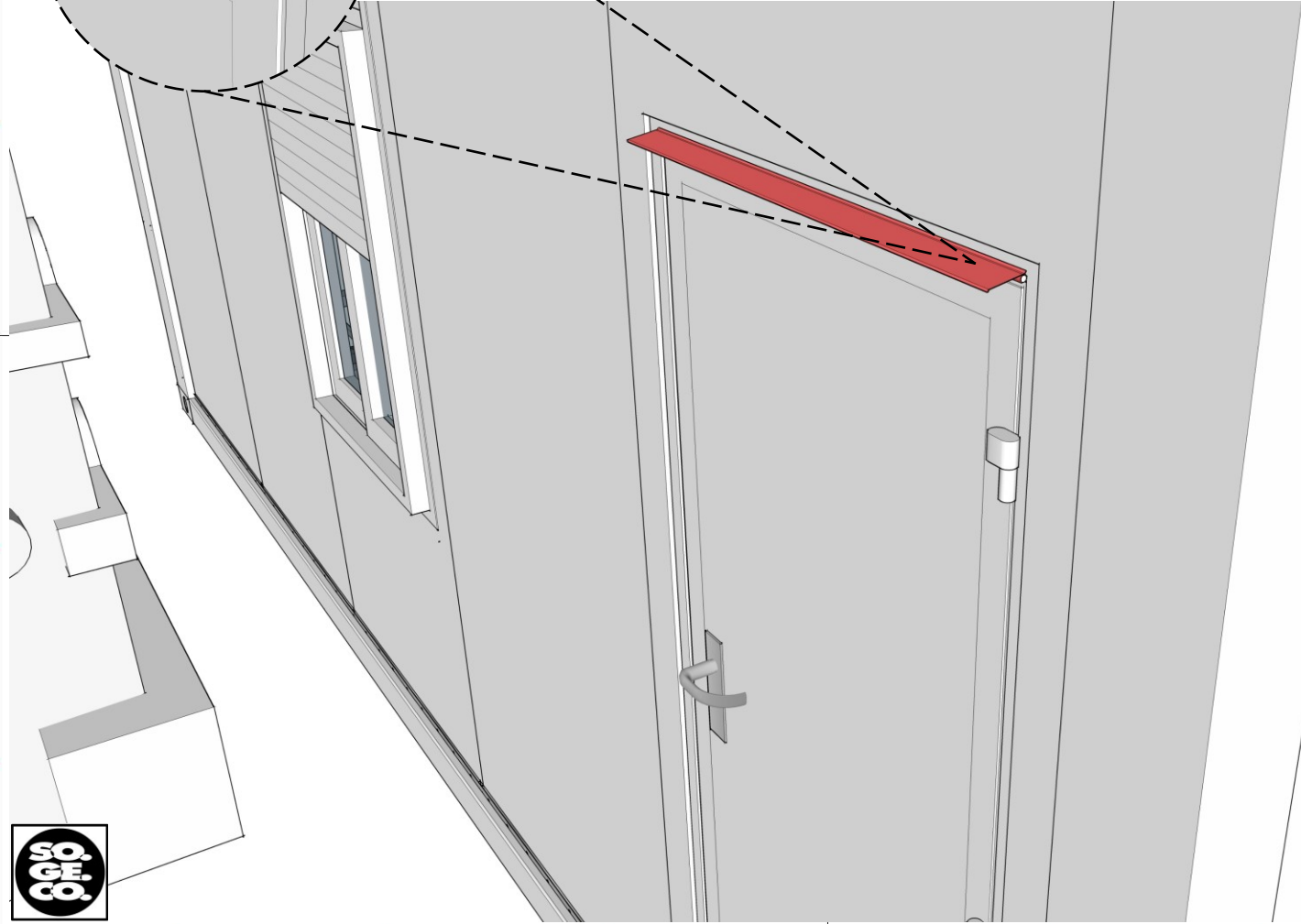
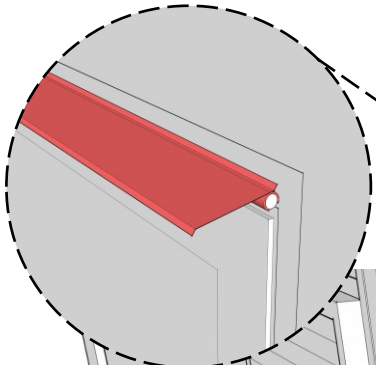
E

E

F

F

***Install the door rain gutter***



1

2

3

4

5

6

7

1

2

3

4

5

6

7

8

A

B

C

D

E

F

A

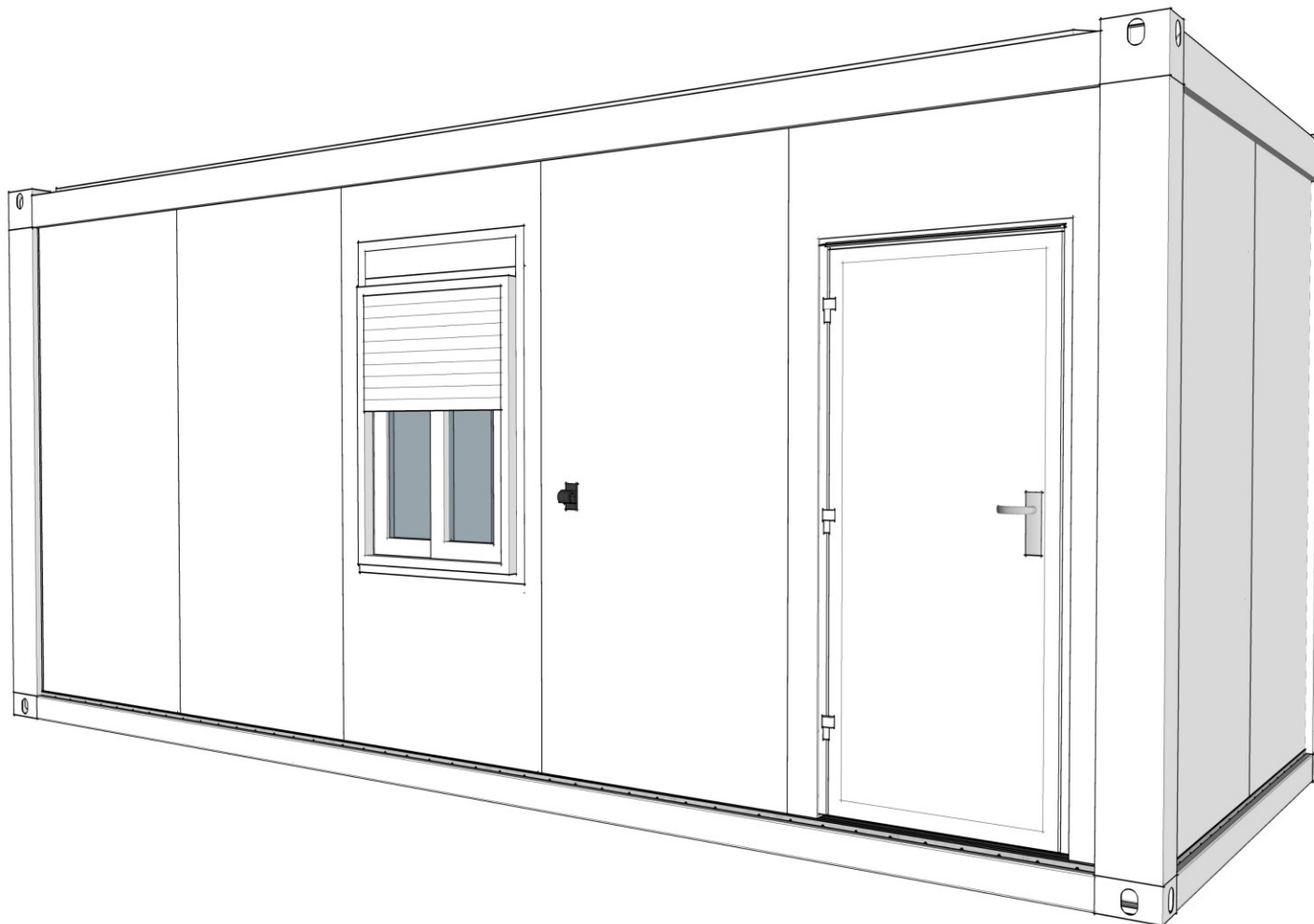
B

C

D

E

F



1

2

3

4

5

6

7

8

A

B

C

D

E

F

A

B

C

D

E

F



1

2

3

4

5

6

7

1

2

3

4

5

6

7

8

A

B

C

D

E

F

A

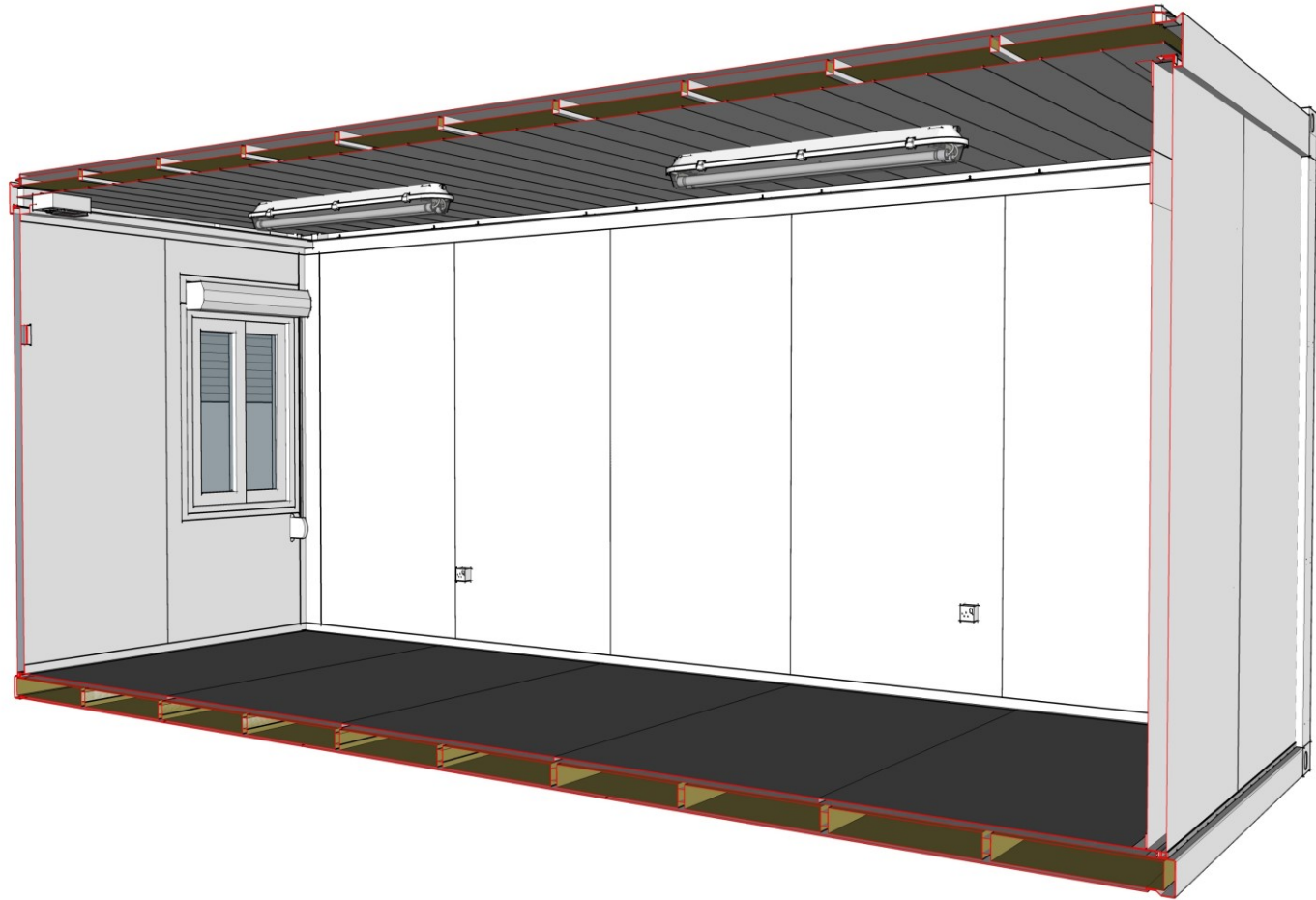
B

C

D

E

F



1

2

3

4

5

6

7